

L5 48HEX-56SQ-64SUPERSPLASH-56SQ-48HEX ELEVATIONS

Front view



05/05/2010 Rev 03

All orders must be accompanied by approved submittals. Please put your initial and date.
Your signing constitute your acceptance and approval of the enclosed details and specifications.

INITIAL: _____ DATE: _____

Drw status

PROPOSAL

(Not for construction)

Vortex Aquatic Structures International
www.vortex.intl.com 1-877-5VORTEX
© 2008 Vortex International, all rights reserved.

 **VORTEX**
Poolplay™

L5 48HEX-56SQ-64SUPERSPLASH- 56SQ-48HEX ELEVATIONS

Rear view



05/05/2010 Rev 03

All orders must be accompanied by approved submittals. Please put your initial and date.
Your signing constitute your acceptance and approval of the enclosed details and specifications.

INITIAL: _____ DATE: _____

Drw status

PROPOSAL

(Not for construction)

Vortex Aquatic Structures International
www.vortex.intl.com 1-877-5VORTEX
© 2008 Vortex International, all rights reserved.

 **VORTEX**
Poolplay™

L5 48HEX-56SQ-64SUPERSPLASH-56SQ-48HEX ELEVATIONS

Front view - Details



05/05/2010 Rev 03

All orders must be accompanied by approved submittals. Please put your initial and date. Your signing constitute your acceptance and approval of the enclosed details and specifications.

INITIAL: _____ DATE: _____

Drw status

PROPOSAL

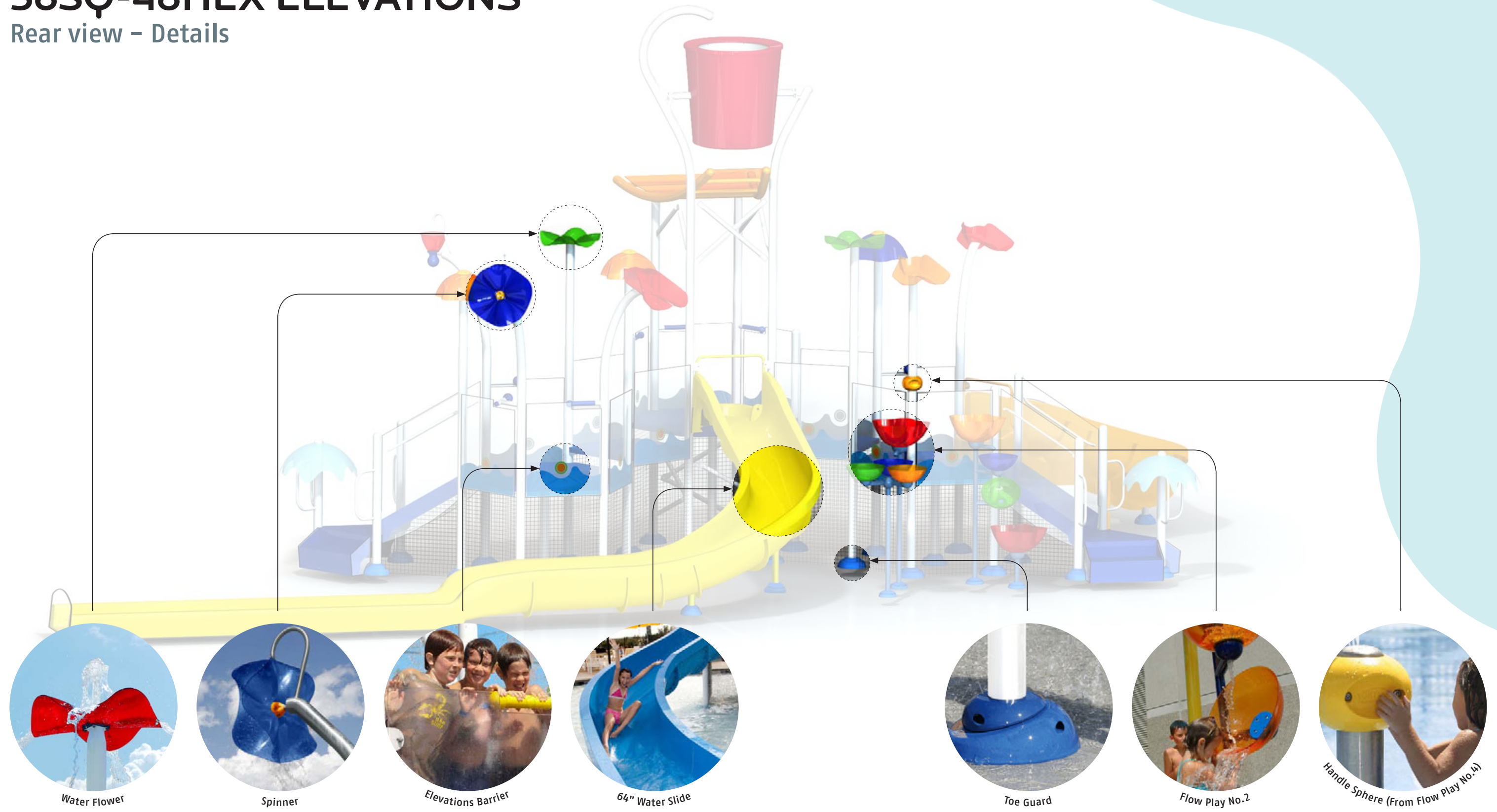
(Not for construction)

Vortex Aquatic Structures International
 www.vortex.intl.com 1-877-5VORTEX
 © 2008 Vortex International, all rights reserved.



L5 48HEX-56SQ-64SUPERSPLASH-56SQ-48HEX ELEVATIONS

Rear view - Details



Water Flower



Spinner



Elevations Barrier



64" Water Slide



Toe Guard



Flow Play No.2



Handle Sphere (From Flow Play No.4)

05/05/2010 Rev 03

All orders must be accompanied by approved submittals. Please put your initial and date. Your signing constitute your acceptance and approval of the enclosed details and specifications.

INITIAL: _____ DATE: _____

Drw status

PROPOSAL

(Not for construction)

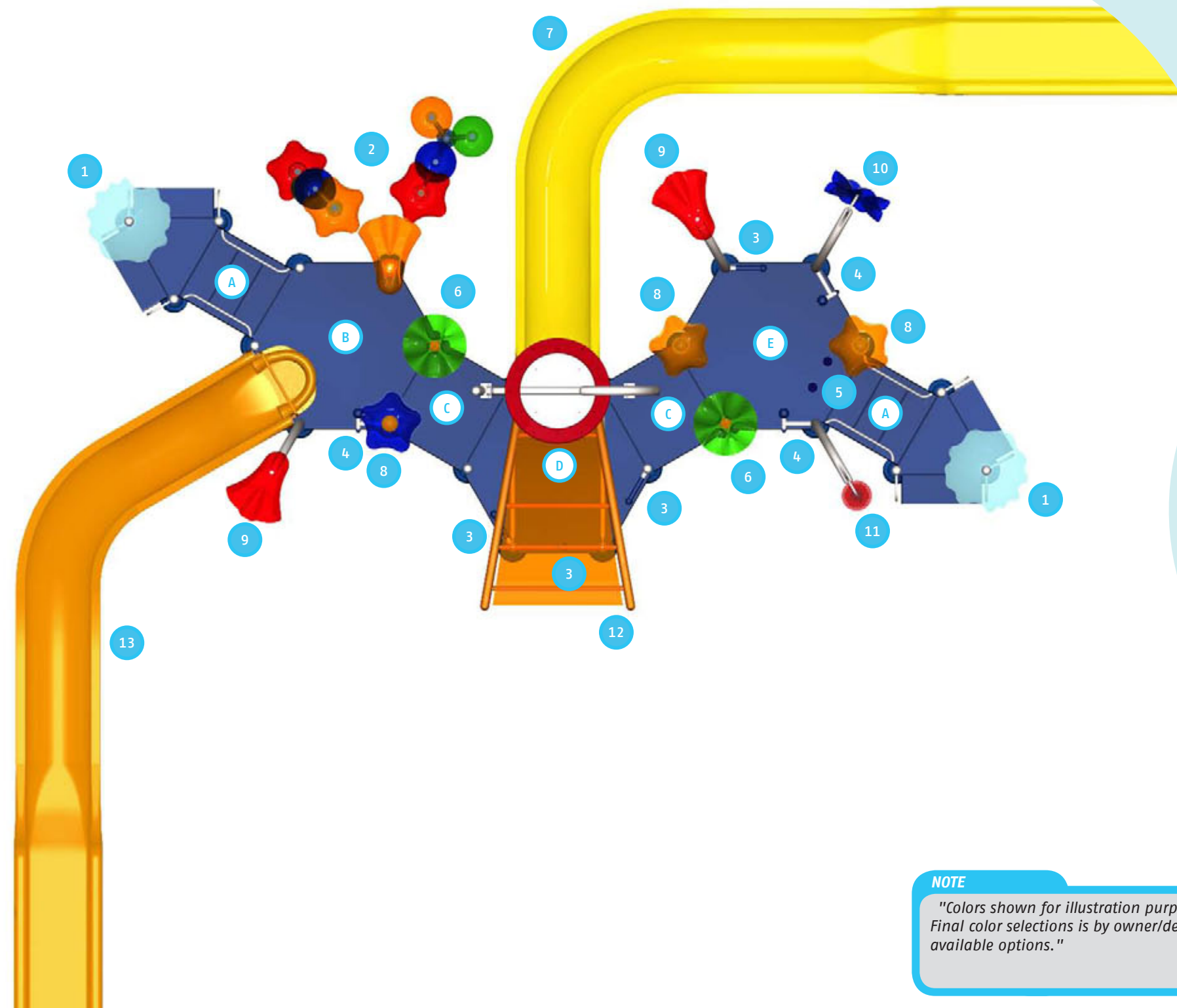
Vortex Aquatic Structures International
www.vortex.intl.com 1-877-5VORTEX
© 2008 Vortex International, all rights reserved.



L5 48HEX-56SQ-64SUPERSPLASH-56SQ-48HEX ELEVATIONS

Components

#	ITEM	QTY	FLOW (GPM)	COLOR SHOWN
INTERACTIVE WATER PLAY FEATURES				
1	Aquadome	2	40	n/a
2	Flow Play No.2	1	40	All Seeflow Colors
3	Spray Bar	4	20	Blue
4	Orb Spray	3	20	Blue
5	Deck Geysers (Pair)	1	10	n/a
WATER PLAY FEATURES				
6	Water Flower	2	40	Seeflow Green
7	64in Water Slide 90Deg	1	40	Yellow
8	Water Dome	3	40	Seeflow Orange and Blue
9	Water Leaf	2	40	Seeflow Red
10	Spinner	1	40	Seeflow Blue
11	Dumping Bell	1	20	Seeflow Red
12	Supersplash	1	40	Red and Seeflow Orange
13	48in Water Slide 60Deg	1	30	Orange
Total:		23	720 GPM	
STRUCTURE COMPONENTS				
A	Entry 48"	2	n/a	Anti-slip Blue
B	Hex Deck 48" (+Manifold)	1	250	Anti-slip Blue
C	Square Deck 56"	2	n/a	Anti-slip Blue
D	Hex Deck 64" (+Manifold)	1	220	Anti-slip Blue
E	Hex Deck 48" (+Manifold)	1	250	Anti-slip Blue
	Main Posts			White



NOTE
 "Colors shown for illustration purpose only.
 Final color selections is by owner/designer per
 available options."

05/05/2010 Rev 03

All orders must be accompanied by approved submittals. Please put your initial and date.
 Your signing constitute your acceptance and approval of the enclosed details and specifications.

INITIAL: _____ DATE: _____

Drw status

PROPOSAL

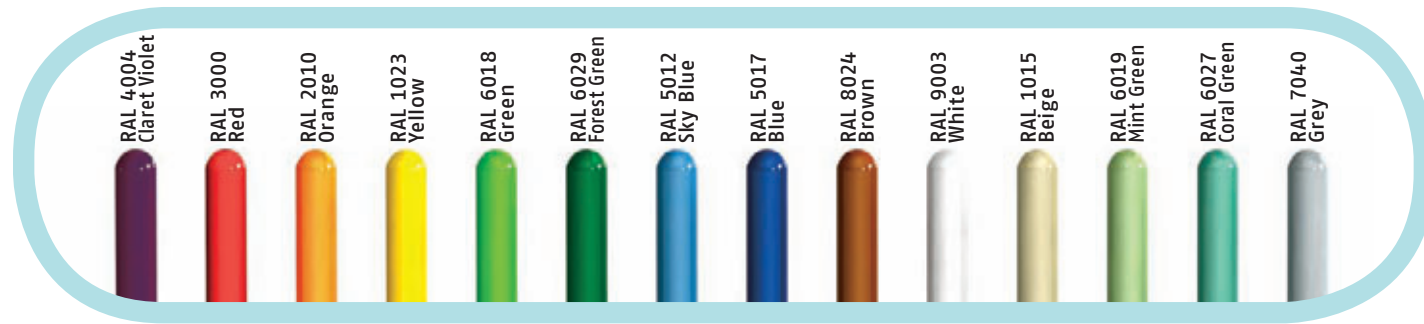
(Not for construction)

Vortex Aquatic Structures International
 www.vortex.intl.com 1-877-5VORTEX
 © 2008 Vortex International, all rights reserved.



ELEVATIONS COLOR CHOICES

STANDARD+PLUX SERIES



Posts



Seeflow Colors



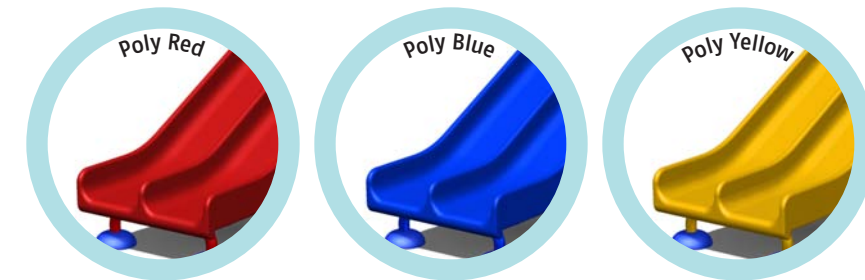
Seeflow Dumping Bells



Toeguard™



Fiberglass Water Slides & Supersplash Buckets

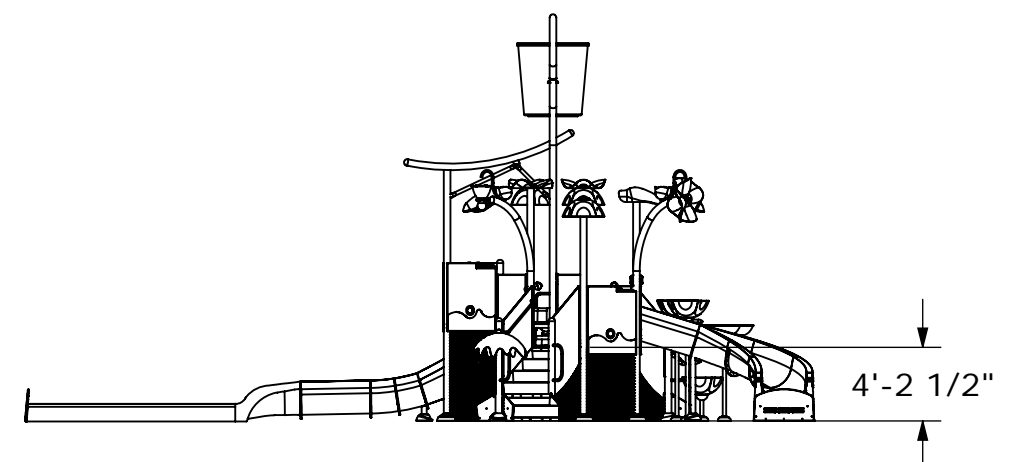
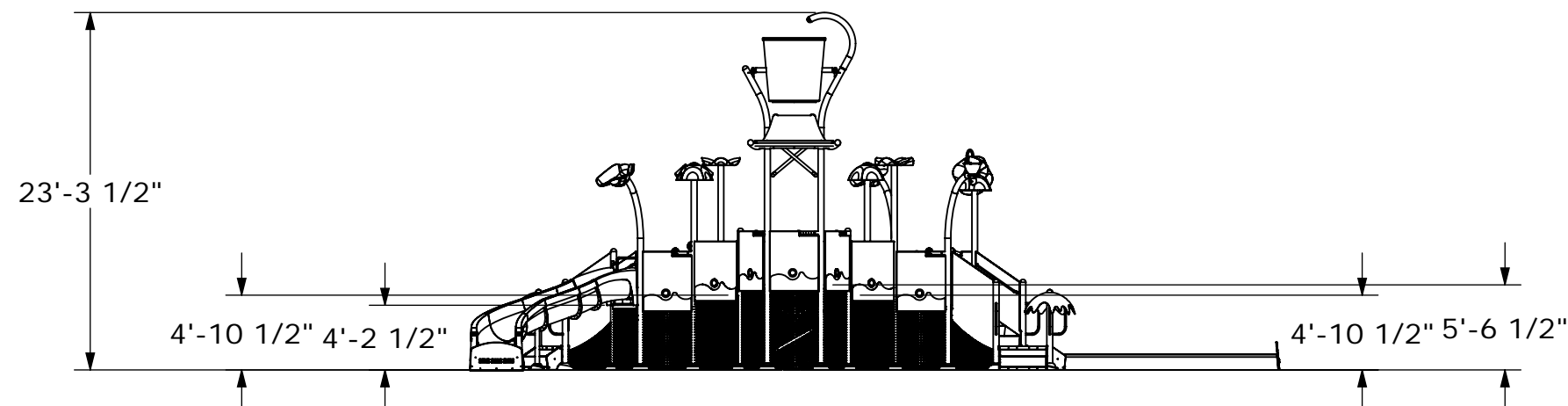
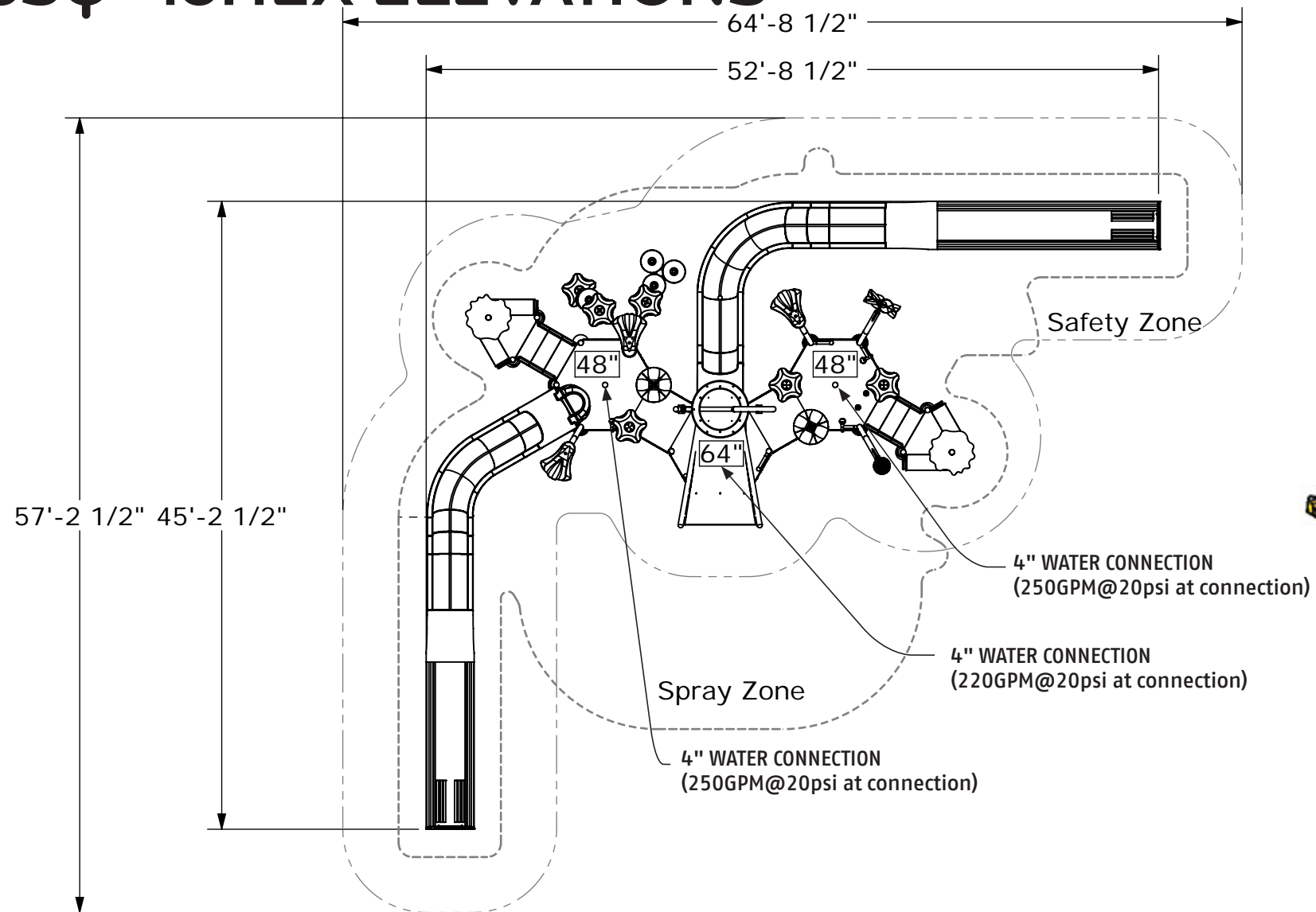


Poly Slides



Handle Sphere

L5 48HEX-56SQ-64SUPERSPLASH-56SQ-48HEX ELEVATIONS



05/05/2010 Rev 03

DRAWING

Drw status

PROPOSAL

(Not for construction)

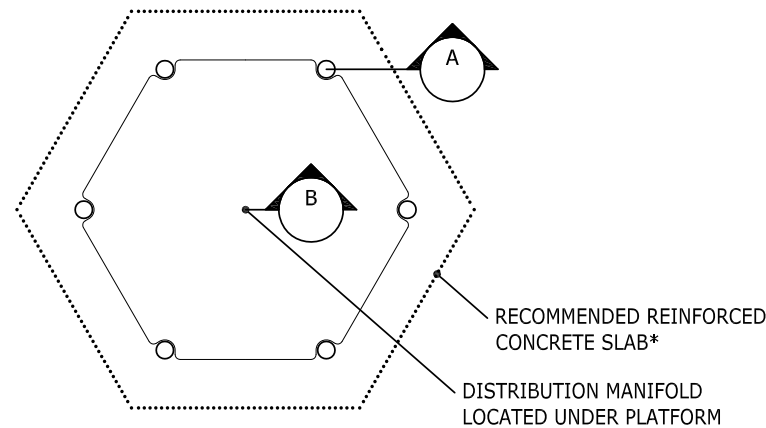
All orders must be accompanied by approved submittals. Please put your initial and date. Your signing constitute your acceptance and approval of the enclosed details and specifications.

INITIAL: _____ DATE: _____

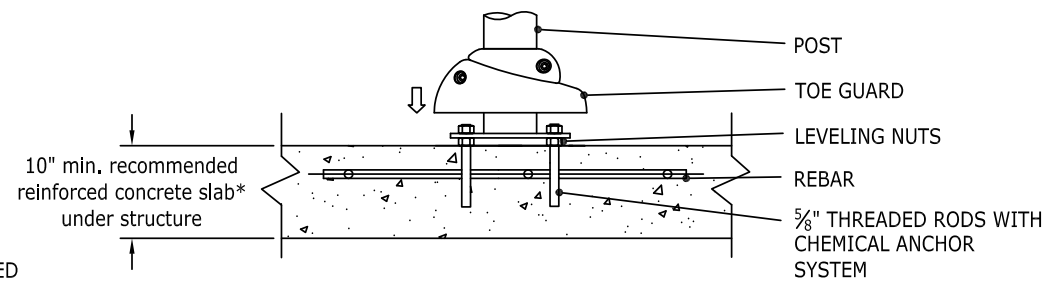
Vortex Aquatic Structures International
 www.vortex.intl.com 1-877-5VORTEX
 © 2008 Vortex International, all rights reserved.



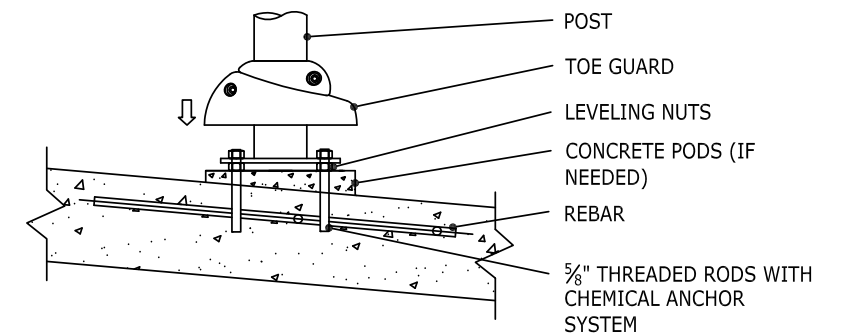
L5 48HEX-56SQ-64SUPERSPLASH-56SQ-48HEX ELEVATIONS



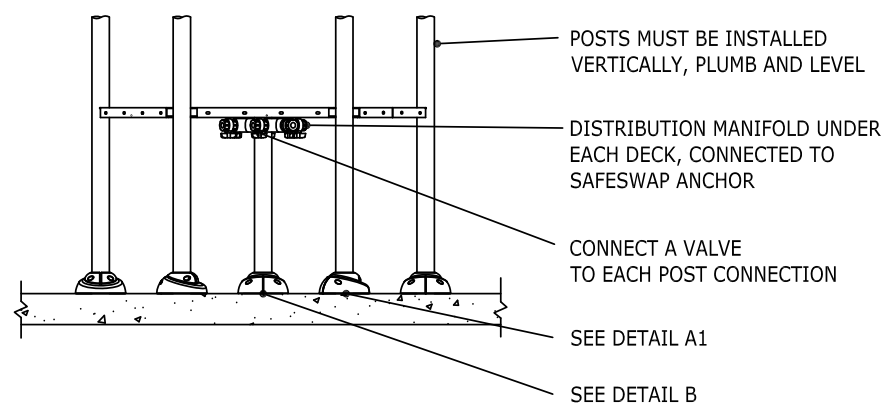
PLAN VIEW
HEX DECK INSTALLATION OVERVIEW
Anchoring details



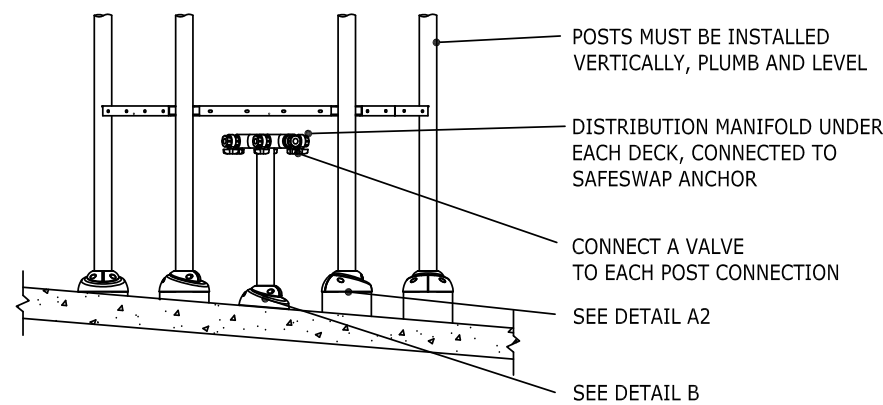
DETAIL A1
POST ANCHORING DETAIL
Post on flat surface



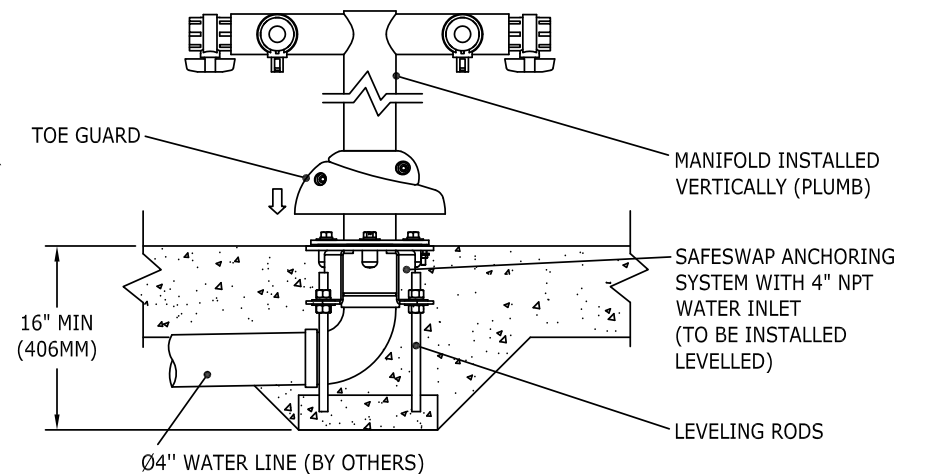
DETAIL A2
POST ANCHORING DETAIL
Post on sloped surface



ELEVATION VIEW
HEX DECK INSTALLATION OVERVIEW
On flat surface



ELEVATION VIEW
HEX DECK INSTALLATION OVERVIEW
On sloped surface



DETAIL B
MANIFOLD SAFESWAP ANCHORING DETAIL

NOTES:

*MINIMUM REINFORCED CONCRETE SLAB WITH #4 REBAR @ 12" C-C BOTH WAYS. RECOMMENDED MINIMUM CONCRETE STRENGTH IS 3500psi@ 28 DAYS. AIR-ENTRAINED CONCRETE IS RECOMMENDED IN REGION SUBJECT TO FREEZING.

- REFER TO MAINTENANCE MANUAL FOR INSTRUCTION AND INSTALLATION DETAILS

NOTE

"Myrtha Pool" compatible anchoring system available upon request.

05/05/2010 Rev 03

INSTALLATION OVERVIEW

Drw status

PROPOSAL

(Not for construction)

All orders must be accompanied by approved submittals. Please put your initial and date. Your signing constitute your acceptance and approval of the enclosed details and specifications. INITIAL: _____ DATE: _____

Vortex Aquatic Structures International
www.vortex.intl.com 1-877-5VORTEX
© 2008 Vortex International, all rights reserved.





