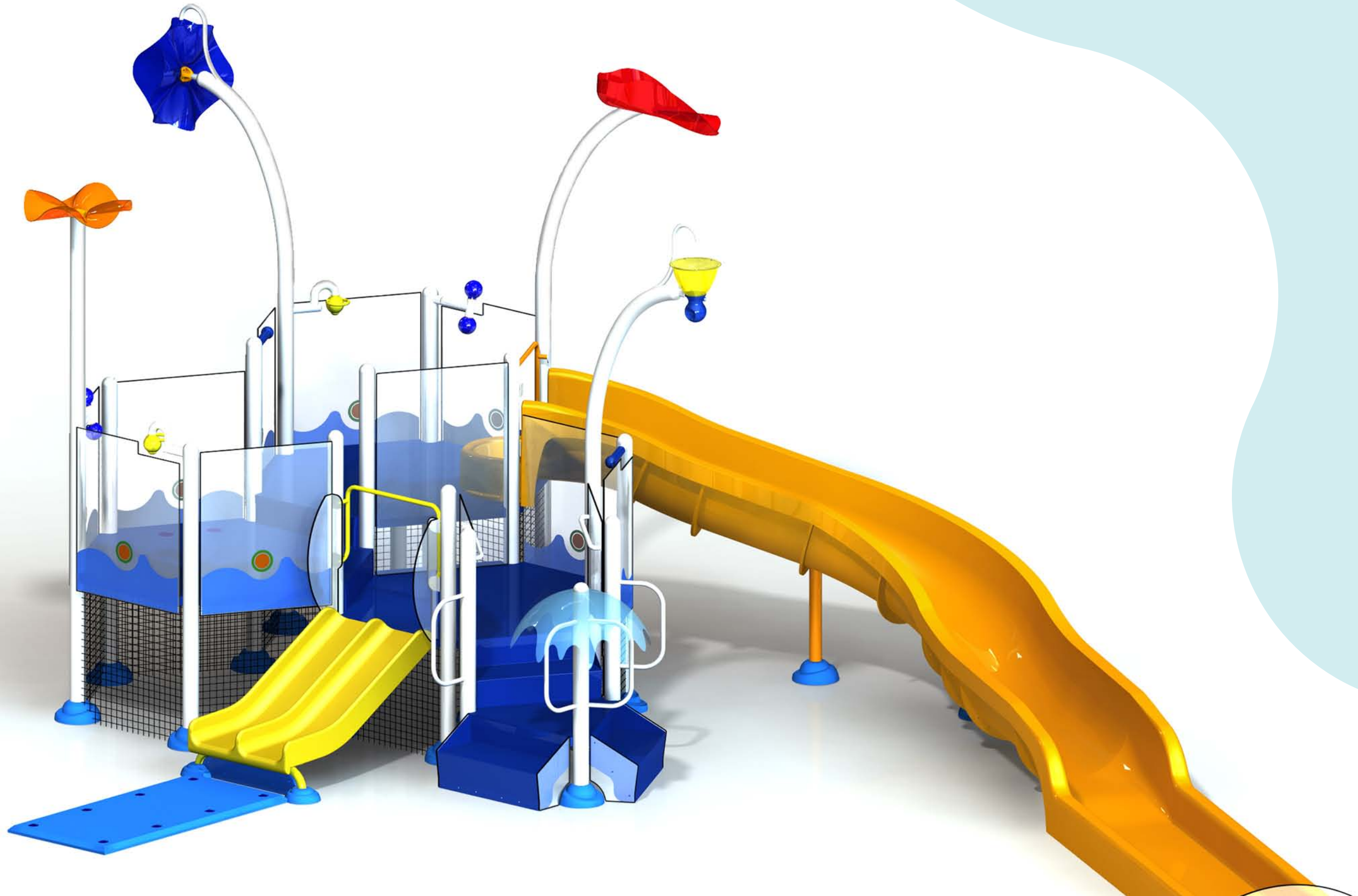


L3 32-40-48 HEX ELEVATIONS

Front view



10/19/2009 Rev 01

All orders must be accompanied by approved submittals. Please put your initial and date.
Your signing constitute your acceptance and approval of the enclosed details and specifications.

INITIAL: _____ DATE: _____

Drw status

PROPOSAL

(Not for construction)

Vortex Aquatic Structures International
www.vortex.intl.com 1-877-5VORTEX
© 2008 Vortex International, all rights reserved.

 **VORTEX**
Poolplay™

L3 32-40-48 HEX ELEVATIONS

Rear view



10/19/2009 Rev 01

All orders must be accompanied by approved submittals. Please put your initial and date.
Your signing constitute your acceptance and approval of the enclosed details and specifications.

INITIAL: _____ DATE: _____

Drw status

PROPOSAL

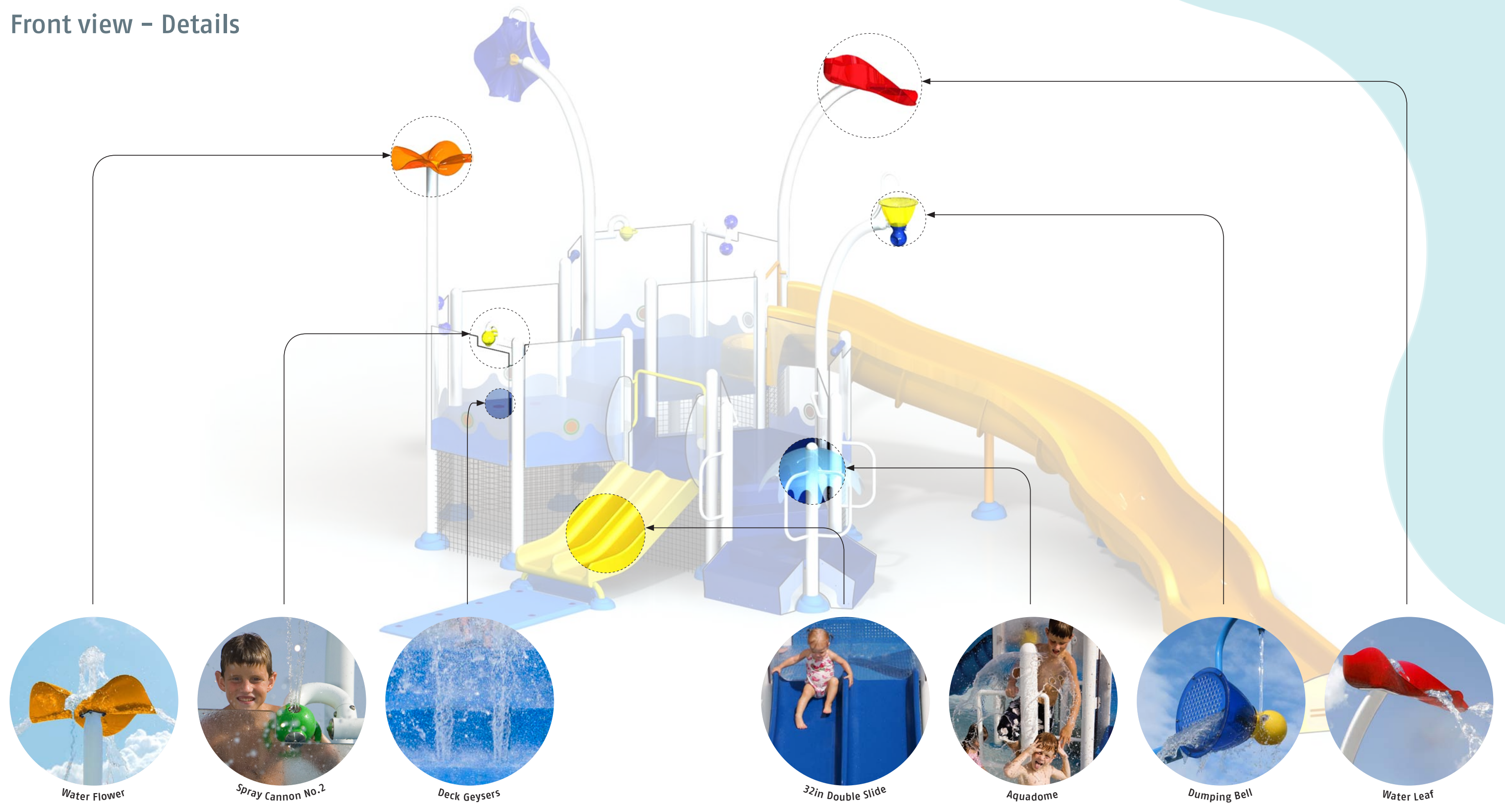
(Not for construction)

Vortex Aquatic Structures International
www.vortex.intl.com 1-877-5VORTEX
© 2008 Vortex International, all rights reserved.

 **VORTEX**
Poolplay™

L3 32-40-48 HEX ELEVATIONS

Front view - Details



Water Flower



Spray Cannon No. 2



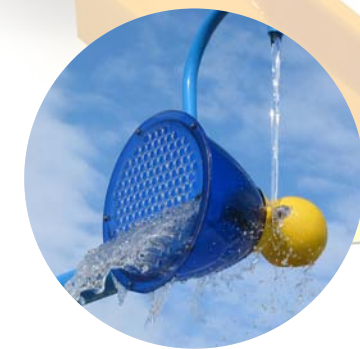
Deck Geysers



32in Double Slide



Aquadome



Dumping Bell



Water Leaf

10/19/2009 Rev 01

All orders must be accompanied by approved submittals. Please put your initial and date. Your signing constitute your acceptance and approval of the enclosed details and specifications. INITIAL: _____ DATE: _____

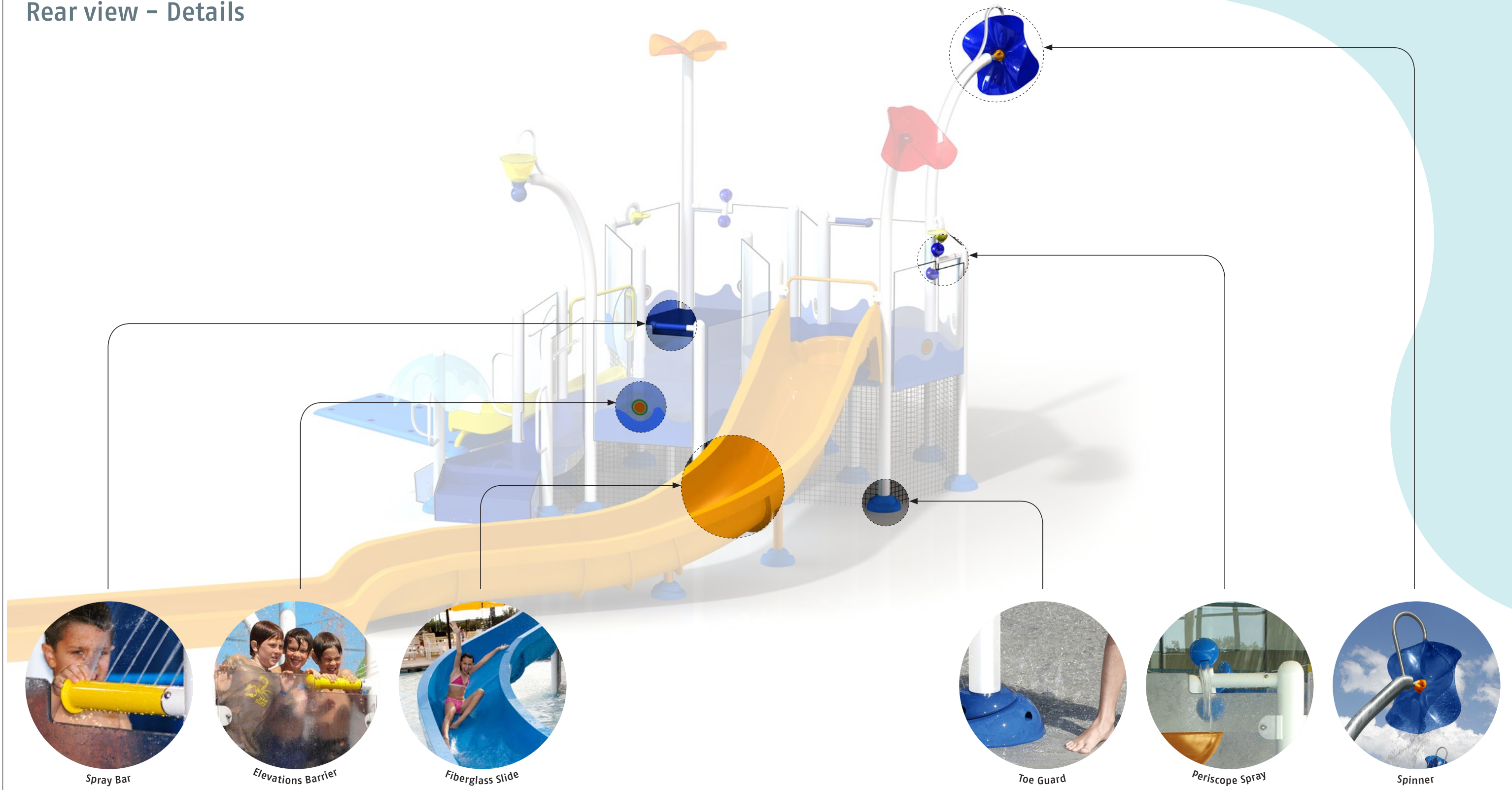
Drw status
PROPOSAL
(Not for construction)

Vortex Aquatic Structures International
www.vortex.intl.com 1-877-5VORTEX
© 2008 Vortex International, all rights reserved.



L3 32-40-48 HEX ELEVATIONS

Rear view - Details



Spray Bar



Elevations Barrier



Fiberglass Slide



Toe Guard



Periscope Spray



Spinner

10/19/2009 Rev 01

All orders must be accompanied by approved submittals. Please put your initial and date. Your signing constitute your acceptance and approval of the enclosed details and specifications. INITIAL: _____ DATE: _____

Drw status

PROPOSAL

(Not for construction)

Vortex Aquatic Structures International
 www.vortex.intl.com 1-877-5VORTEX
 © 2008 Vortex International, all rights reserved.



L3 32-40-48 HEX ELEVATIONS

Components

INTERACTIVE WATER PLAY FEATURES

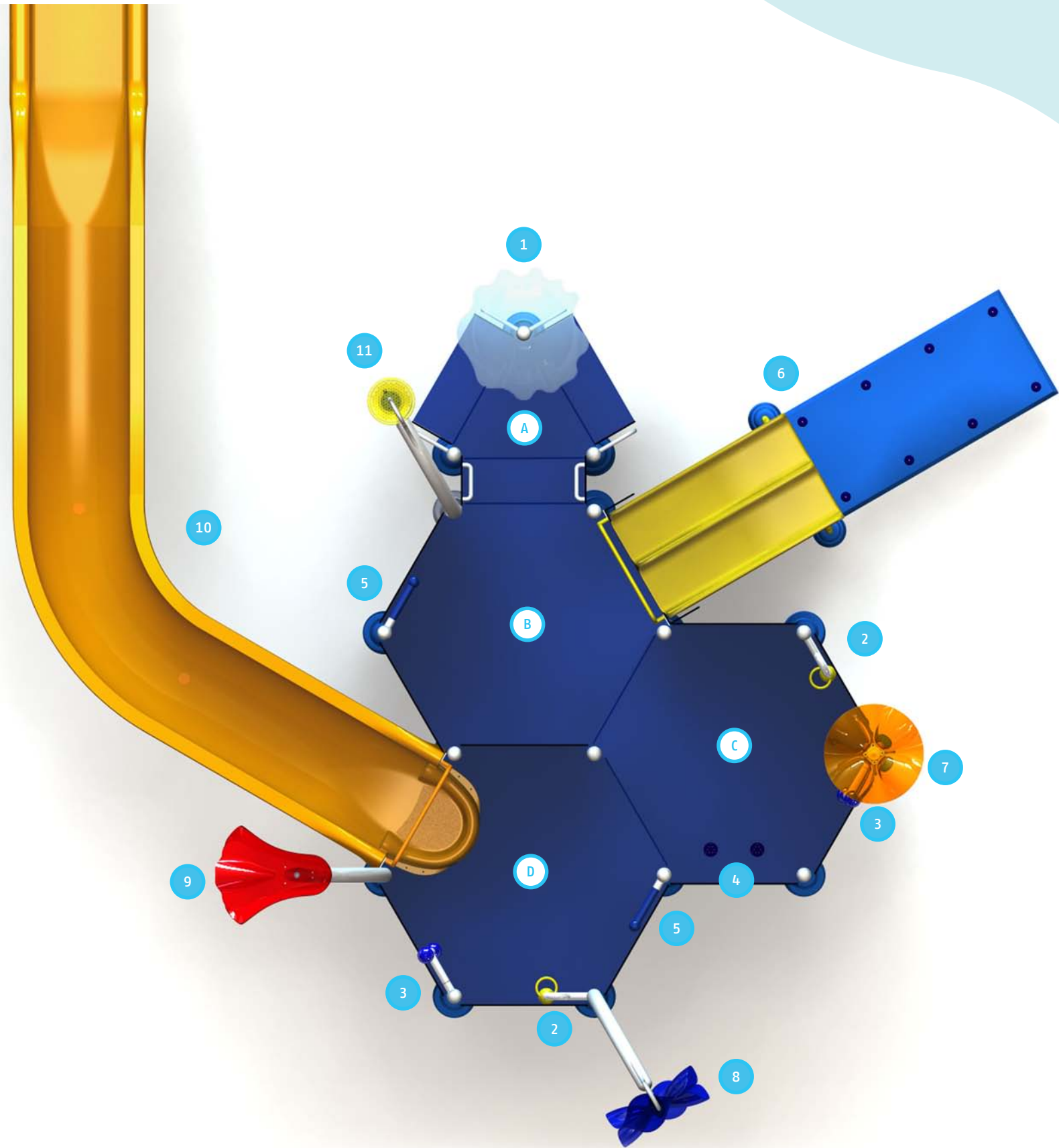
#	ITEM	QTY	FLOW (GPM)	COLOR SHOWN
1	Aquadome	1	40	n/a
2	Spray Cannon No.2	2	20	Yellow
3	Periscope Spray	2	20	Blue
4	Deck Geysers (Pair)	1	10	n/a
5	Spray Bar	2	20	Blue

WATER FEATURES

6	32in Double Slide	1	n/a	Poly Yellow
7	Water Flower	1	40	Seeflow Orange
8	Spinner	1	40	Seeflow Blue
9	Water Leaf	1	40	Seeflow Red
10	48in Right Slide 60Deg	1	40	Orange
11	Dumping Bell	1	20	Seeflow Yellow
Total:		14	350 GPM	

STRUCTURE COMPONENTS

A	Entry 32"	1	n/a	Blue
B	Hex Deck 32" (+Manifold)	1	160	Blue
C	Hex Deck 40"	1	n/a	Blue
D	Hex Deck 48" (+Manifold)	1	190	Blue
Main Posts				White



10/19/2009 Rev 01

All orders must be accompanied by approved submittals. Please put your initial and date. Your signing constitute your acceptance and approval of the enclosed details and specifications.

INITIAL: _____ DATE: _____

Drw status

PROPOSAL

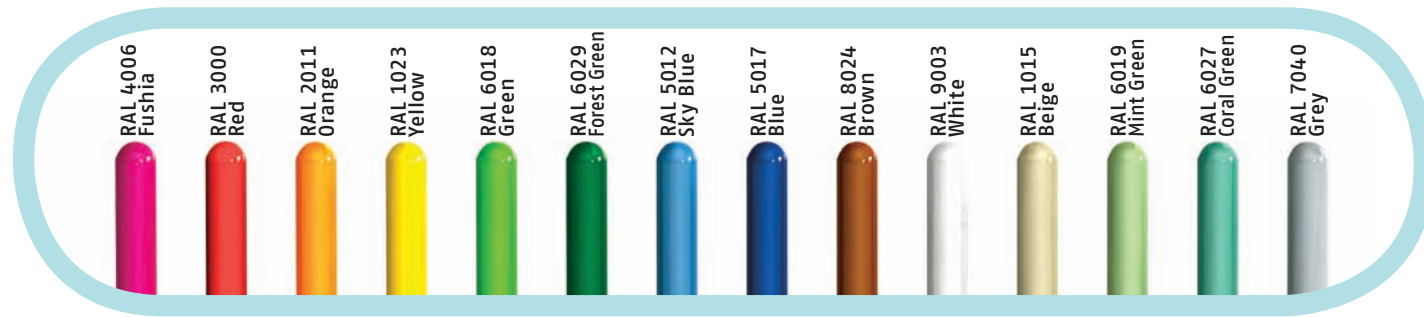
(Not for construction)

Vortex Aquatic Structures International
www.vortex.intl.com 1-877-5VORTEX
© 2008 Vortex International, all rights reserved.

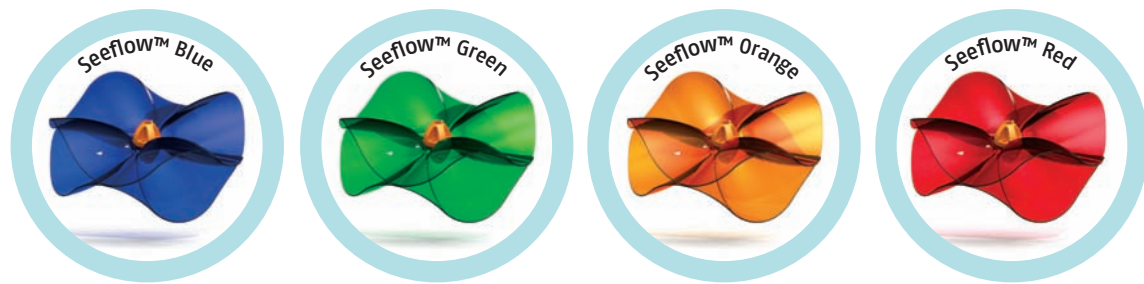
VORTEX
Poolplay™

ELEVATIONS COLOR CHOICES

CITY, STATE, COUNTRY



Posts



Seeflow Colors



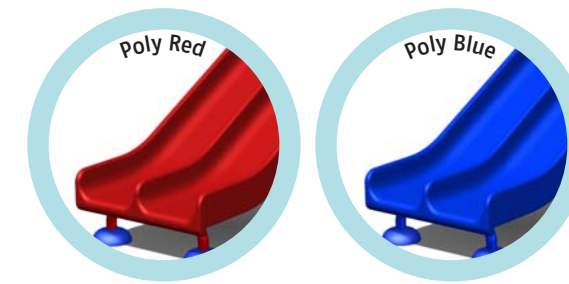
Seeflow Dumping Bells



Toeguard™

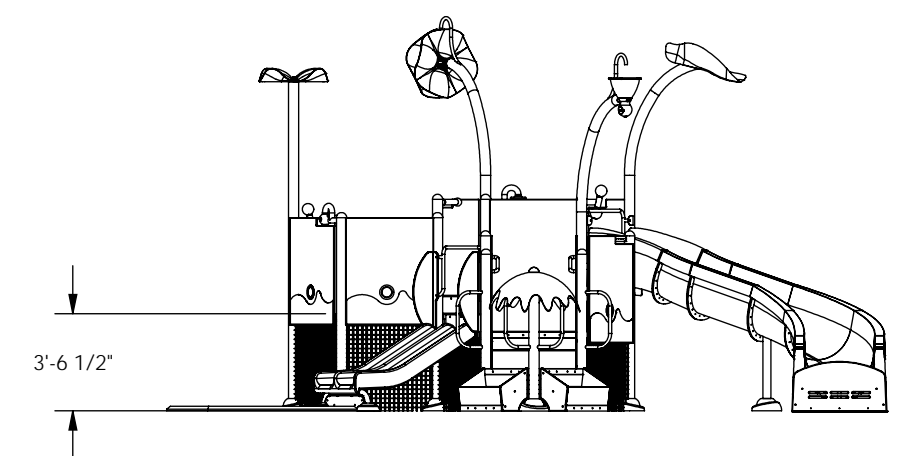
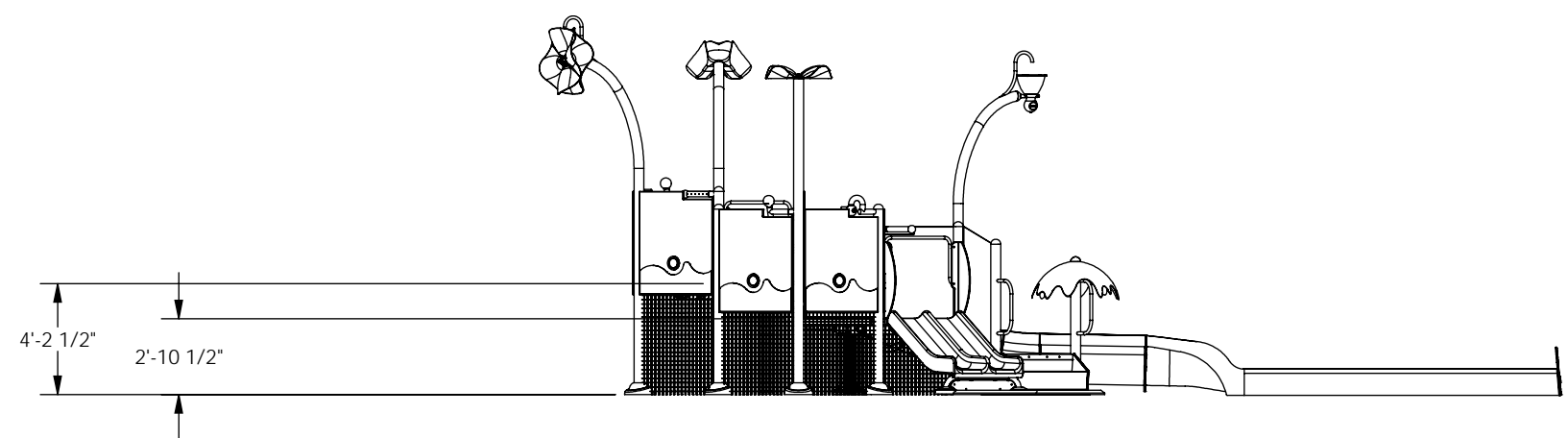
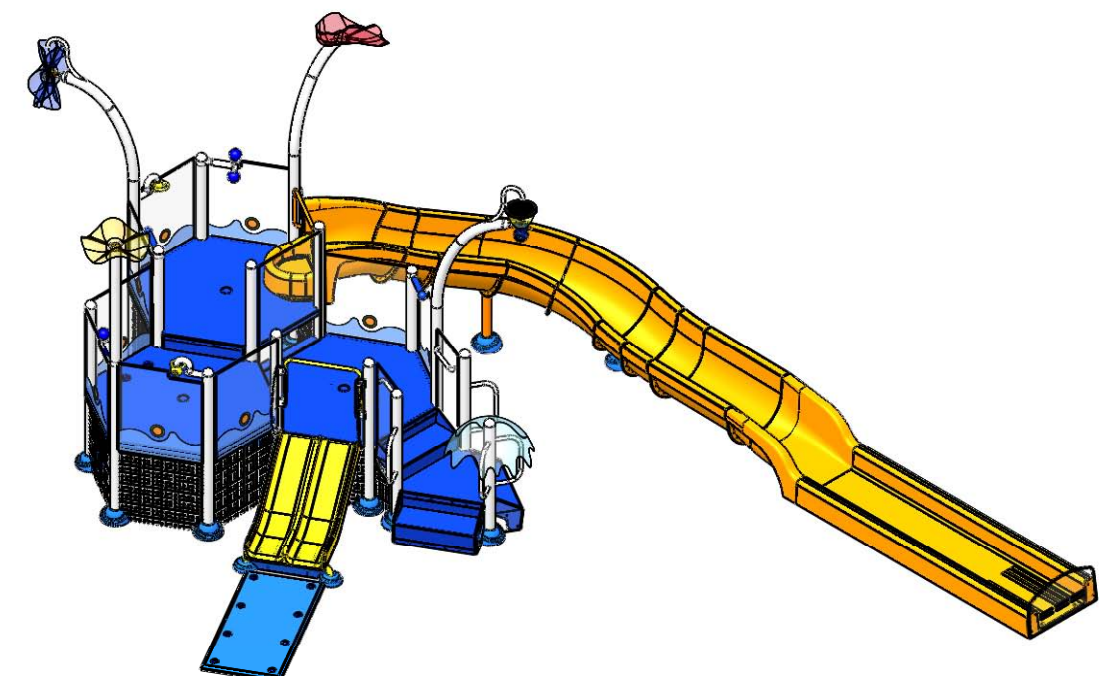
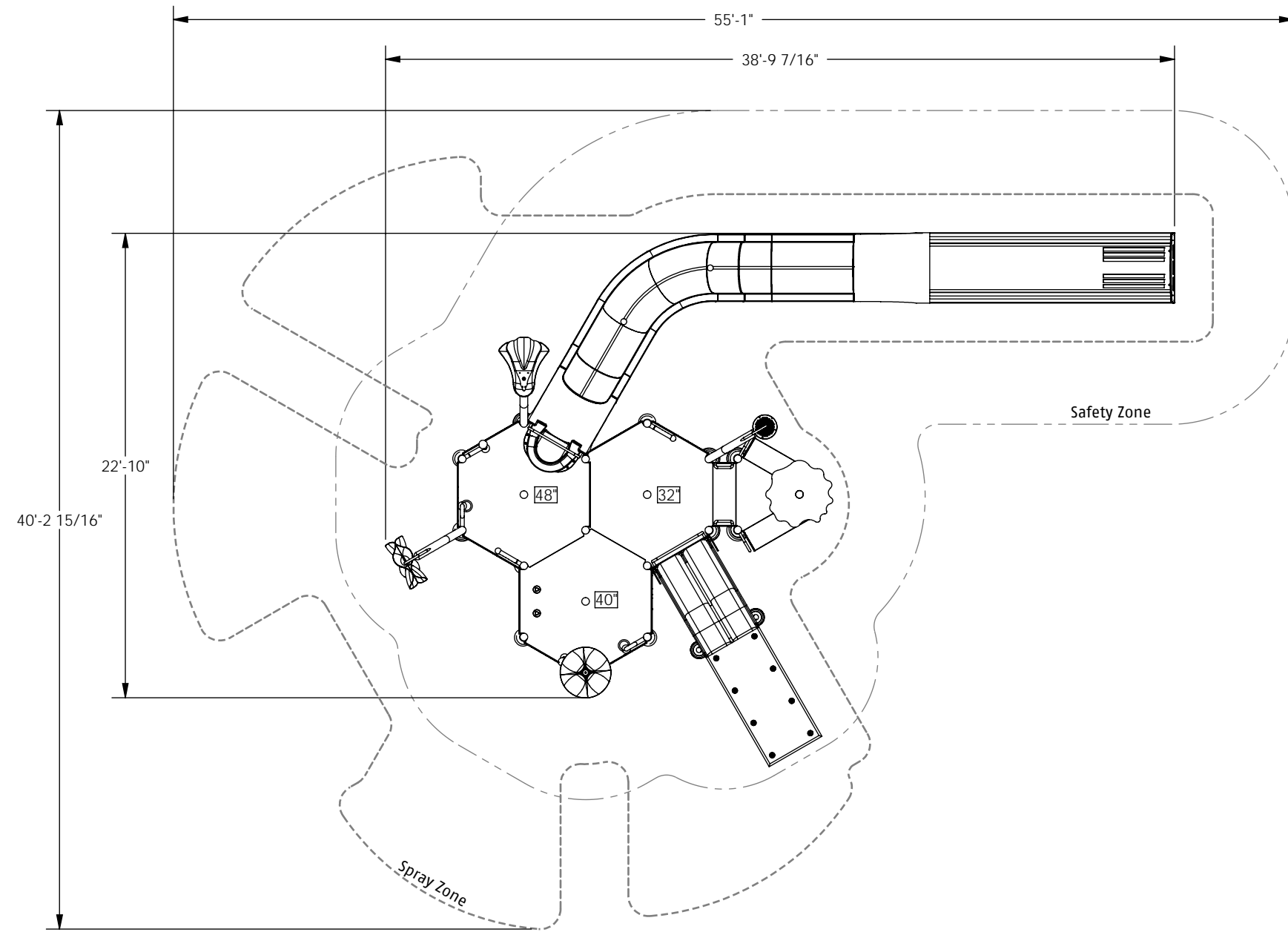


Fiberglass Water Slides & Supersplash Buckets



Poly Slides

L3 32-40-48 HEX ELEVATIONS



10/19/2009 Rev 01 Drawing

All orders must be accompanied by approved submittals. Please put your initial and date. Your signing constitute your acceptance and approval of the enclosed details and specifications. INITIAL: _____ DATE: _____

Drw status
PROPOSAL
(Not for construction)

Vortex Aquatic Structures International
www.vortex.intl.com 1-877-5VORTEX
© 2008 Vortex International, all rights reserved.



