

# L1 32HEX ELEVATIONS

Front view



10/13/2009 Rev 02

All orders must be accompanied by approved submittals. Please put your initial and date.  
Your signing constitute your acceptance and approval of the enclosed details and specifications.

INITIAL: \_\_\_\_\_ DATE: \_\_\_\_\_

Drw status

**PROPOSAL**

(Not for construction)

Vortex Aquatic Structures International  
www.vortex.intl.com 1-877-5VORTEX  
© 2008 Vortex International, all rights reserved.



# L1 32HEX ELEVATIONS

Rear view



10/13/2009 Rev 02

All orders must be accompanied by approved submittals. Please put your initial and date.  
Your signing constitute your acceptance and approval of the enclosed details and specifications.

INITIAL: \_\_\_\_\_ DATE: \_\_\_\_\_

Drw status

**PROPOSAL**

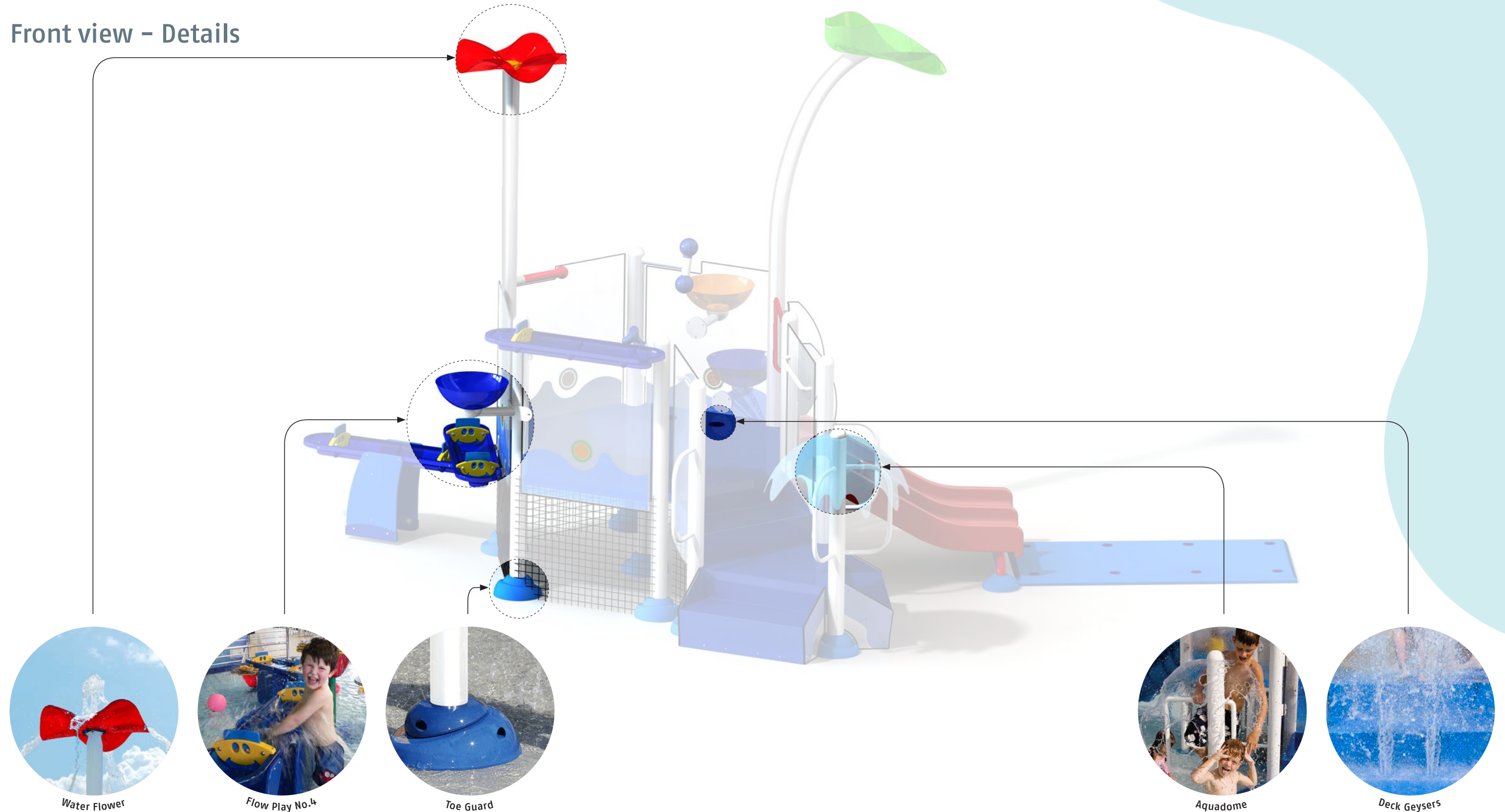
(Not for construction)

Vortex Aquatic Structures International  
www.vortex.intl.com 1-877-5VORTEX  
© 2008 Vortex International, all rights reserved.



# L1 32HEX ELEVATIONS

## Front view - Details



Water Flower



Flow Play No.4



Toe Guard



Aquadome



Deck Geysers

10/13/2009 Rev 02

All orders must be accompanied by approved submittals. Please put your initial and date.  
Your signing constitute your acceptance and approval of the enclosed details and specifications.

INITIAL: \_\_\_\_\_ DATE: \_\_\_\_\_

Drw status

**PROPOSAL**

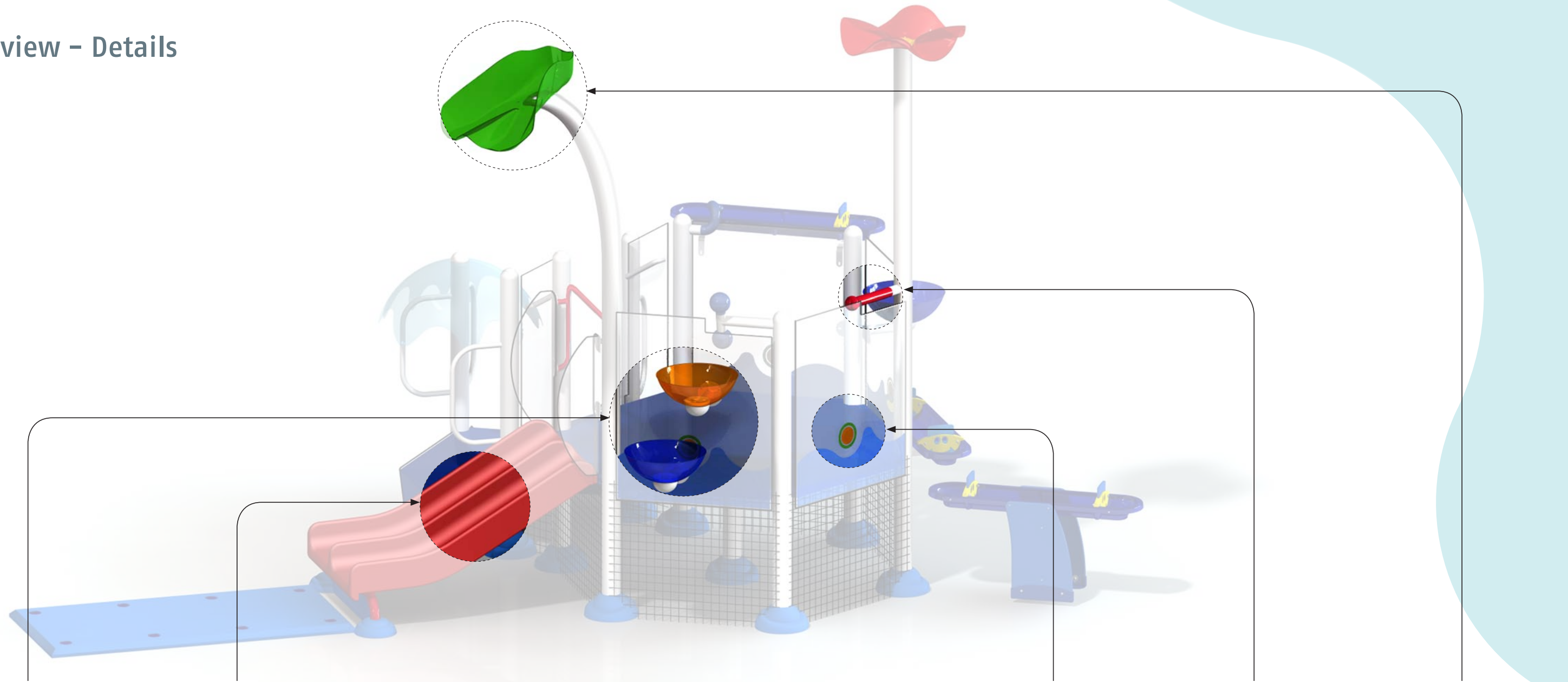
**(Not for construction)**

Vortex Aquatic Structures International  
www.vortex.intl.com 1-877-5VORTEX  
© 2008 Vortex International, all rights reserved.



# L1 32HEX ELEVATIONS

Rear view - Details



Flow Play No.1



32in Double Slide



Elevations barrier



Spray Bar



Water Leaf

10/13/2009 Rev 02

All orders must be accompanied by approved submittals. Please put your initial and date. Your signing constitute your acceptance and approval of the enclosed details and specifications.

INITIAL: \_\_\_\_\_ DATE: \_\_\_\_\_

Drw status

**PROPOSAL**

(Not for construction)

Vortex Aquatic Structures International  
www.vortex.intl.com 1-877-5VORTEX  
© 2008 Vortex International, all rights reserved.



# L1 32HEX ELEVATIONS

## Components

### INTERACTIVE WATER PLAY FEATURES

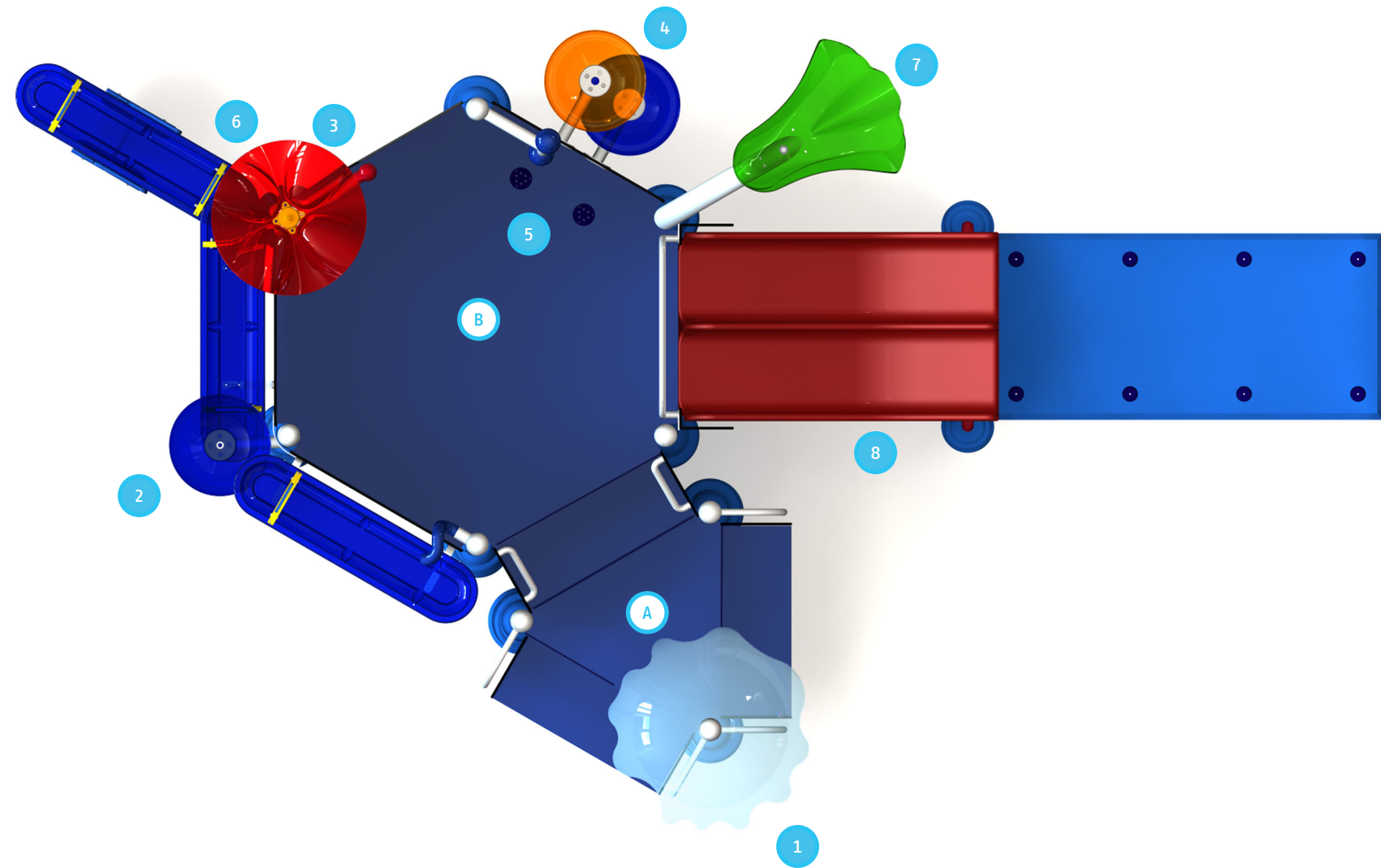
#	ITEM	QTY	FLOW (GPM)	COLOR SHOWN
1	Aquadome	1	40	n/a
2	Flow Paly No4	1	20	n/a
3	Spray Bar	1	20	Red
4	Flow Play No1	1	20	n/a
5	Deck Geysers (Pair)	1	10	n/a

### WATER FEATURES

6	Water Flower	1	40	Seeflow Red
7	Water Leaf	1	40	Seeflow Green
8	32in Double Slide	1	n/a	Poly Red
<b>Total:</b>		<b>8</b>	<b>190 GPM</b>	

### STRUCTURE COMPONENTS

A	Entry 32"	1	n/a	Blue
B	Hex Deck 32" (+Manifold)	1	190	Blue
Main Posts				White



10/13/2009 Rev 02

All orders must be accompanied by approved submittals. Please put your initial and date. Your signing constitute your acceptance and approval of the enclosed details and specifications.

INITIAL: \_\_\_\_\_ DATE: \_\_\_\_\_

Drw status

**PROPOSAL**

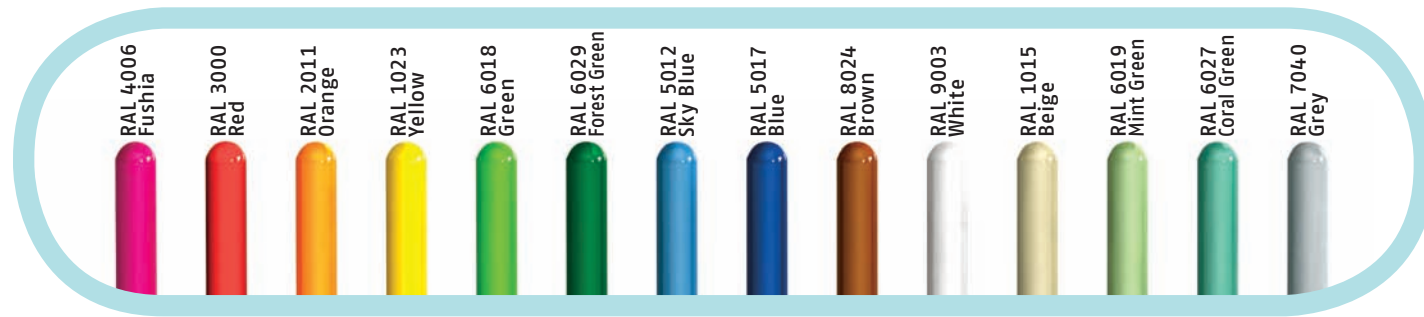
(Not for construction)

Vortex Aquatic Structures International  
www.vortex.intl.com 1-877-5VORTEX  
© 2008 Vortex International, all rights reserved.

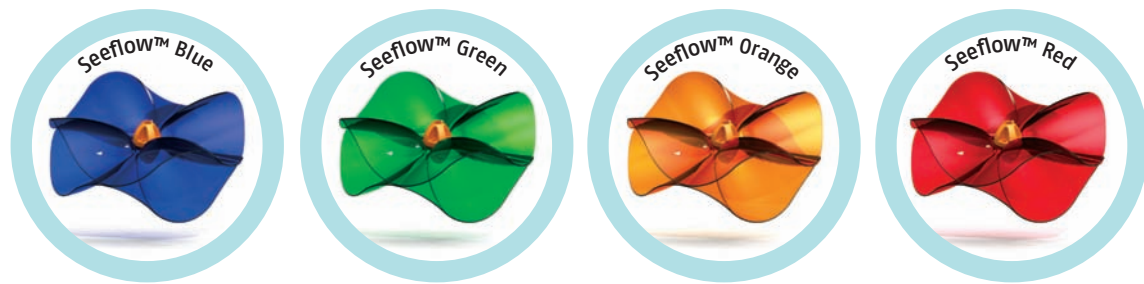
**VORTEX**  
Poolplay™

# ELEVATIONS COLOR CHOICES

## CITY, STATE, COUNTRY



Posts



Seeflow Colors



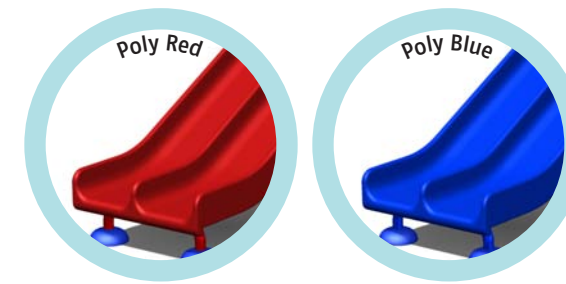
Seeflow Dumping Bells



Toeguard™

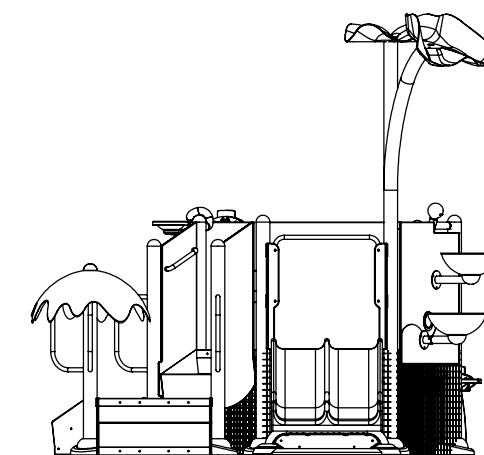
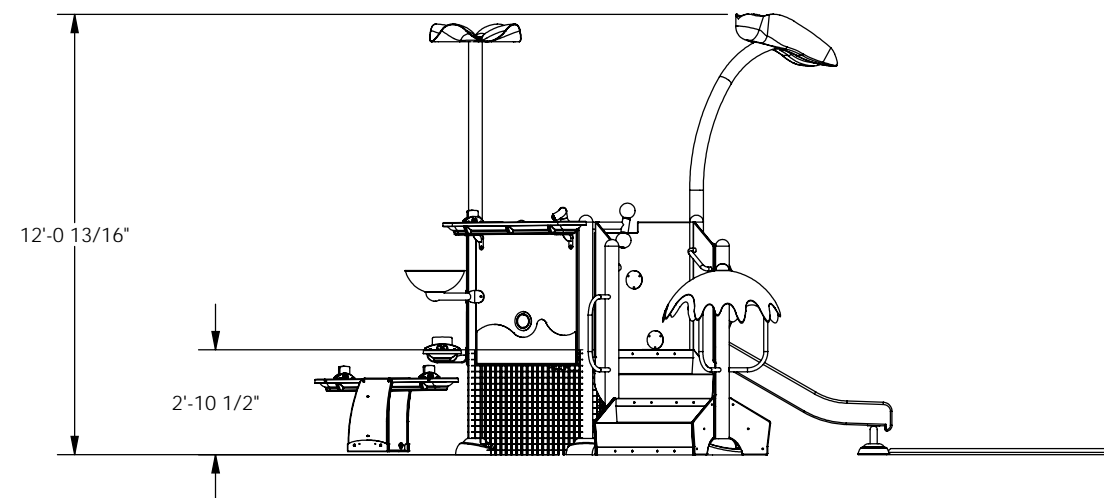
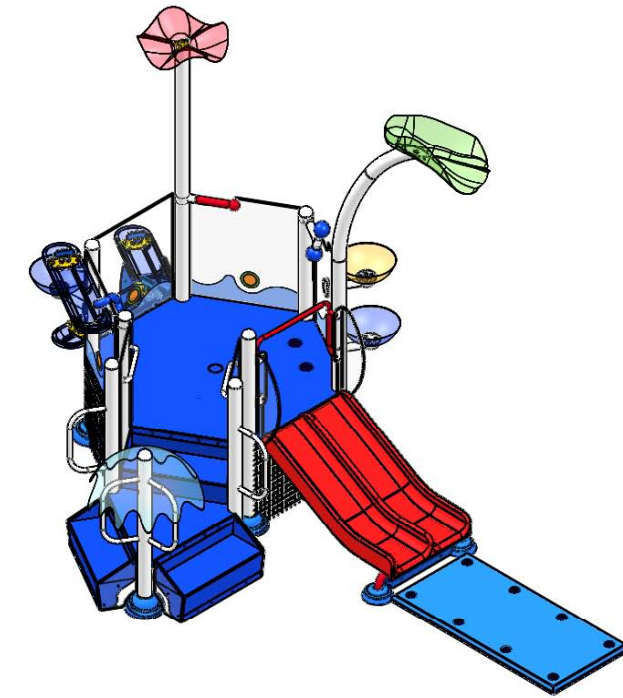
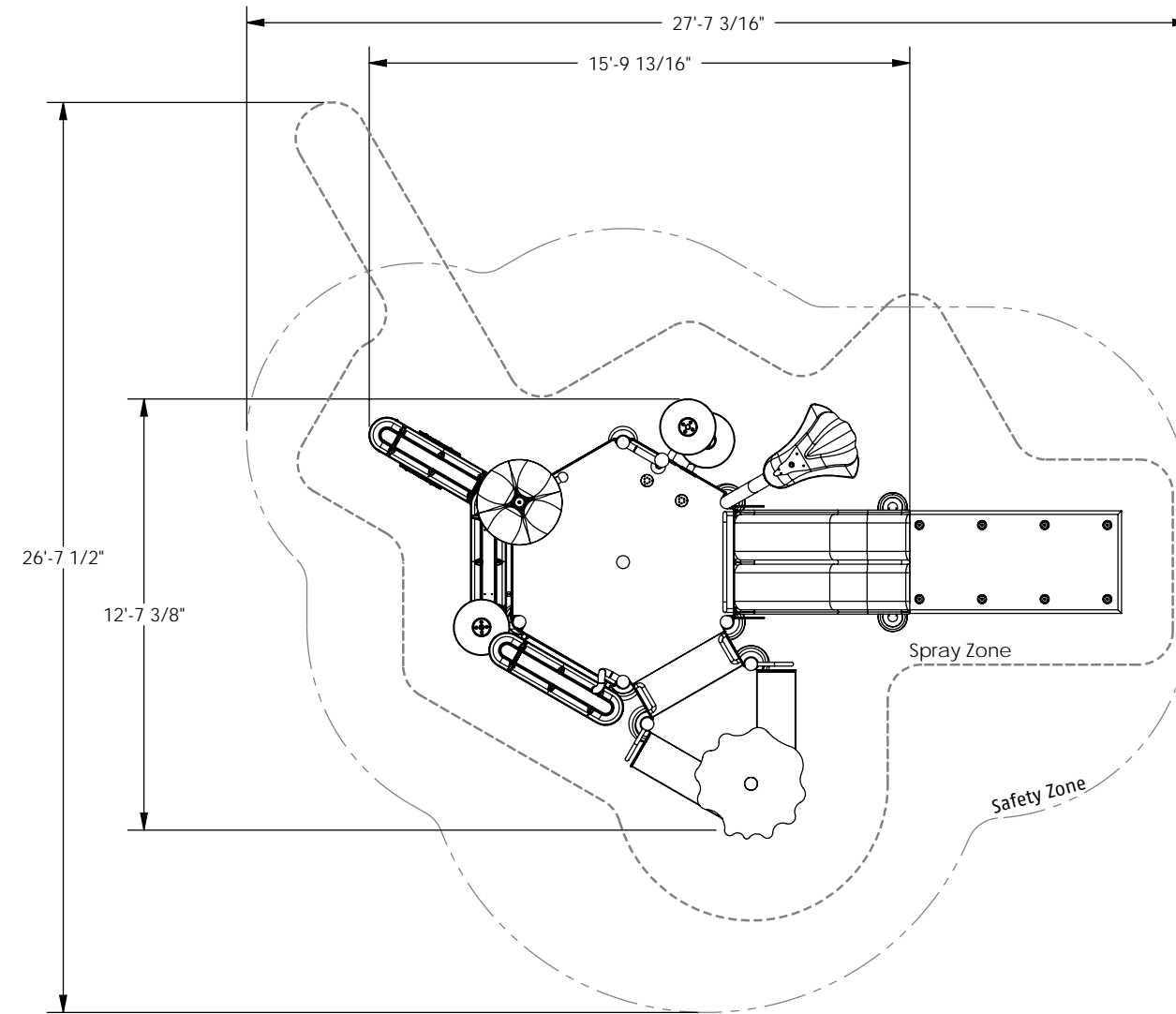


Fiberglass Water Slides & Supersplash Buckets



Poly Slides

# L1 32HEX ELEVATIONS



10/13/2009 Rev 02

Drawing

All orders must be accompanied by approved submittals. Please put your initial and date.  
Your signing constitute your acceptance and approval of the enclosed details and specifications.

INITIAL: \_\_\_\_\_ DATE: \_\_\_\_\_

Drw status

PROPOSAL

(Not for construction)

Vortex Aquatic Structures International  
www.vortex.intl.com 1-877-5VORTEX  
© 2008 Vortex International, all rights reserved.







