



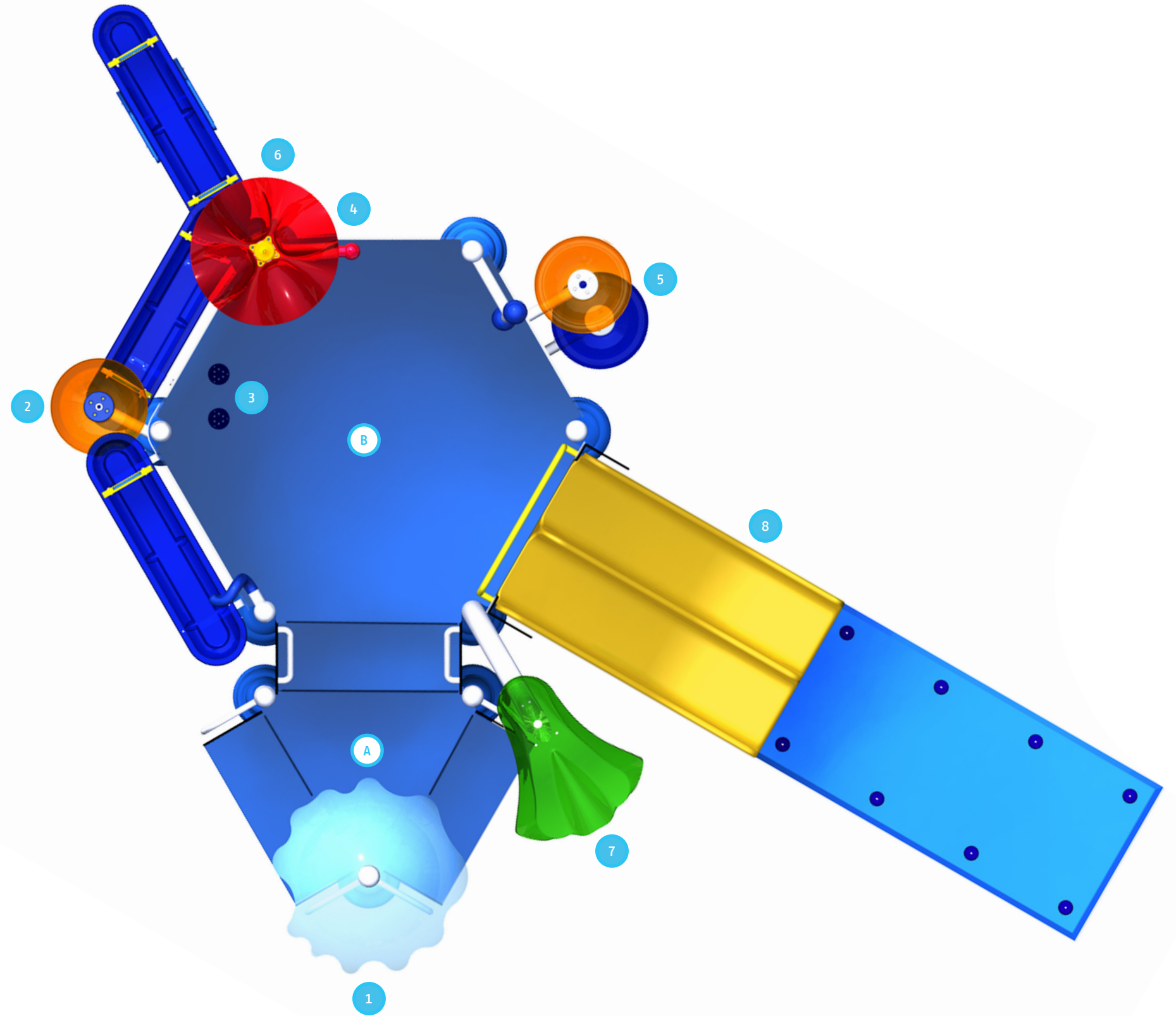
L1 Elevations™ 32in Hex Deck

View 1

## ELEVATIONS™ COMPONENTS

#	ITEM	QTY	FLOW GPM	FLOW LPM	COLOR SHOWN
INTERACTIVE WATER PLAY FEATURES					
1	Aquadome	1	20	76	n/a
2	Flow Play No.4	1	20	76	Seeflow Blue & Orange
3	Deck Geysers (Pair)	1	10	38	n/a
4	Spray Bar	1	20	76	Red
5	Flow Play no.1	1	20	76	Seeflow Orange & Blue
WATER PLAY FEATURES					
6	Water Flower	1	40	141	Seeflow Red
7	Water Leaf	1	40	141	Seeflow Green
PLAY FEATURES					
8	32in Double Slide	1	n/a		Poly Yellow
<b>Total Water Flow:</b>		<b>8</b>	<b>170 GPM</b>	<b>624 LPM</b>	

STRUCTURE COMPONENTS	QTY	FLOW (GPM)	FLOW (LPM)	COLOR SHOWN
A Entry 32"		n/a	n/a	Anti-slip Blue
B Hex Deck 32" (+Manifold)		170	624	Anti-slip Blue
Main Posts				White
Barrier Graphics		SPLASHIE / OCEAN / JUNGLE		A / B / A&B

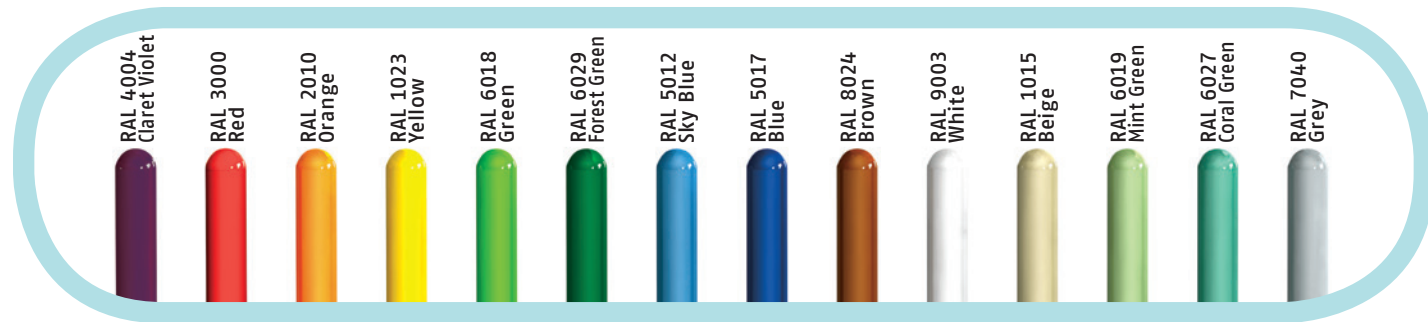


L1 Elevations™ 32in Hex Deck

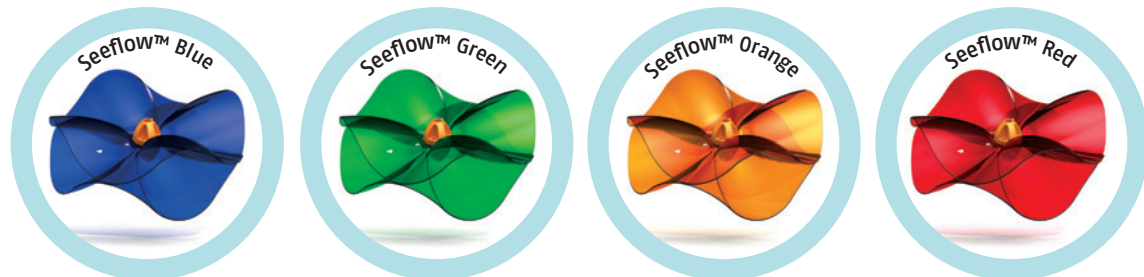
Elevations™ Top View



# ELEVATIONS™ COLOR CHOICES



Posts



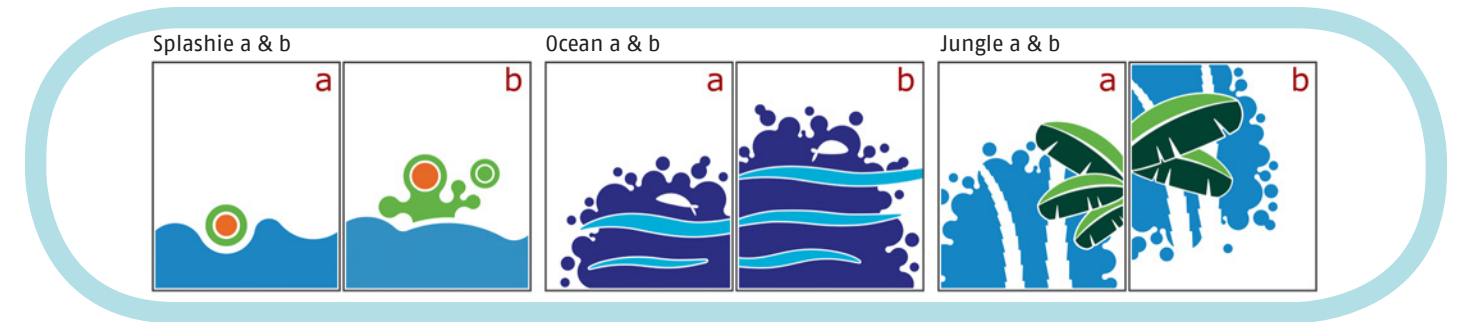
Seeflow™ Colors



Seeflow™ Dumping Bells & Flower



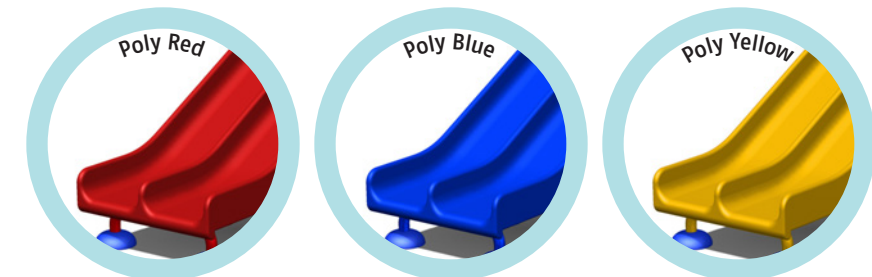
Toeguard™



Seeflow™ Barrier Graphics



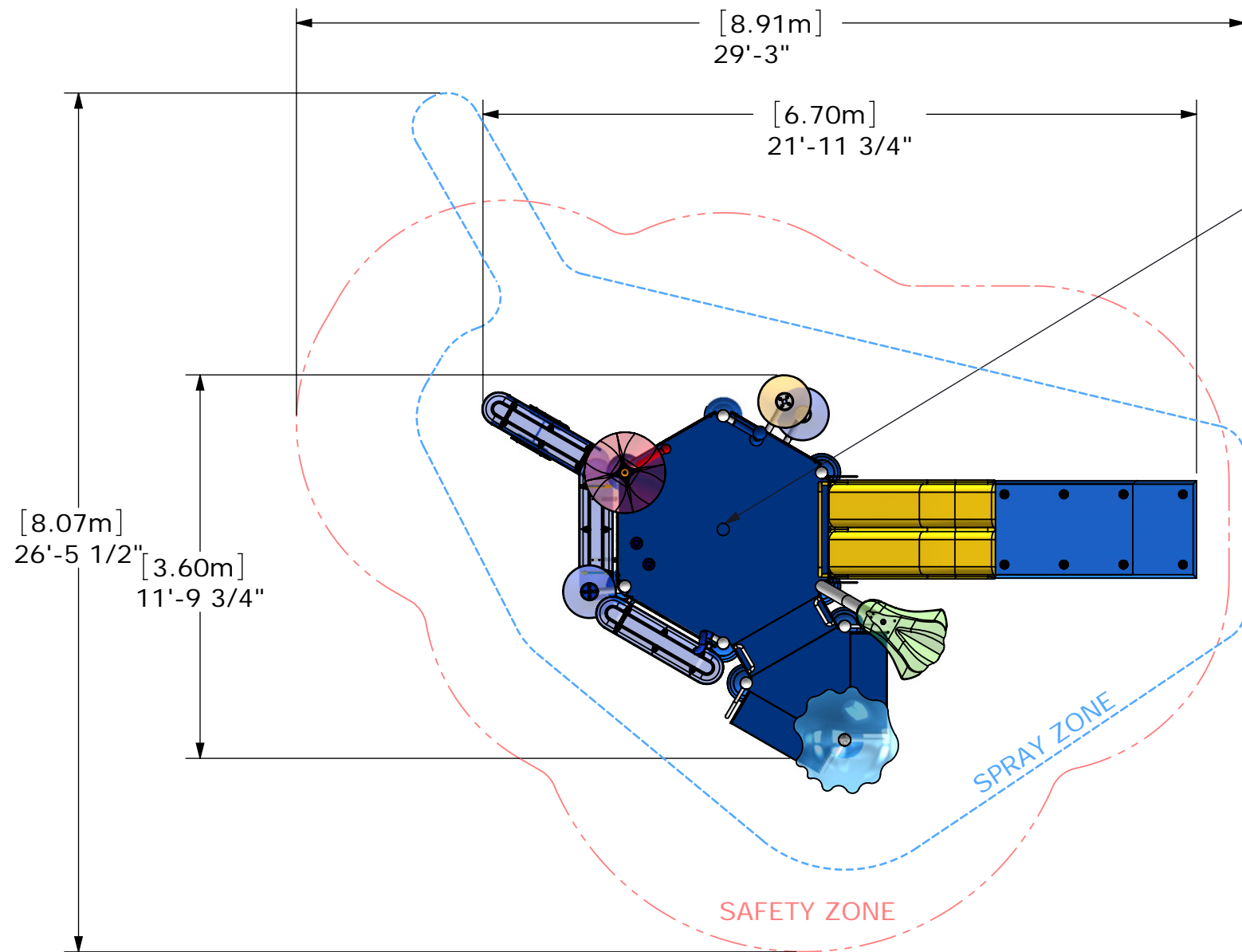
Fiberglass Water Slides & Supersplash Buckets



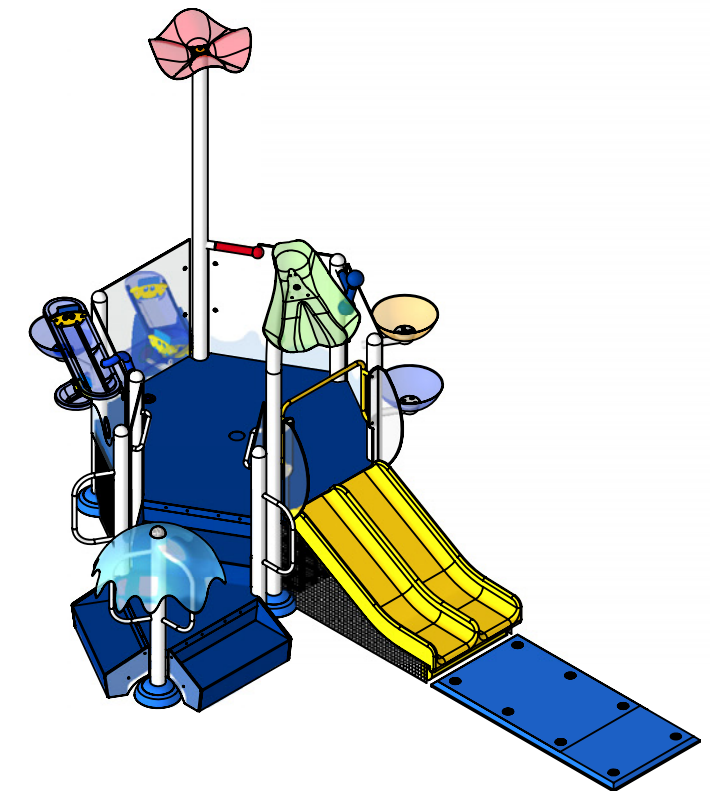
Poly Slides



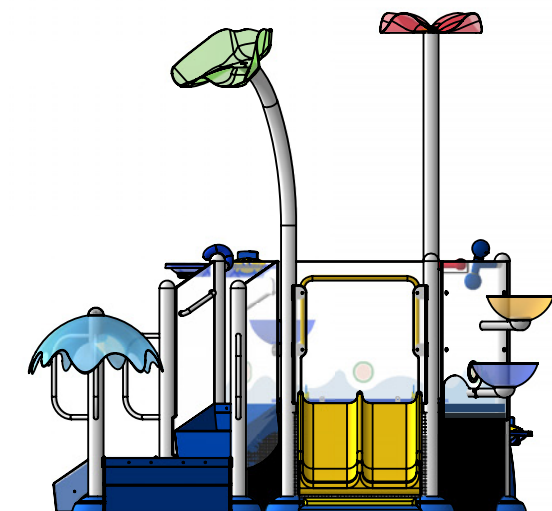
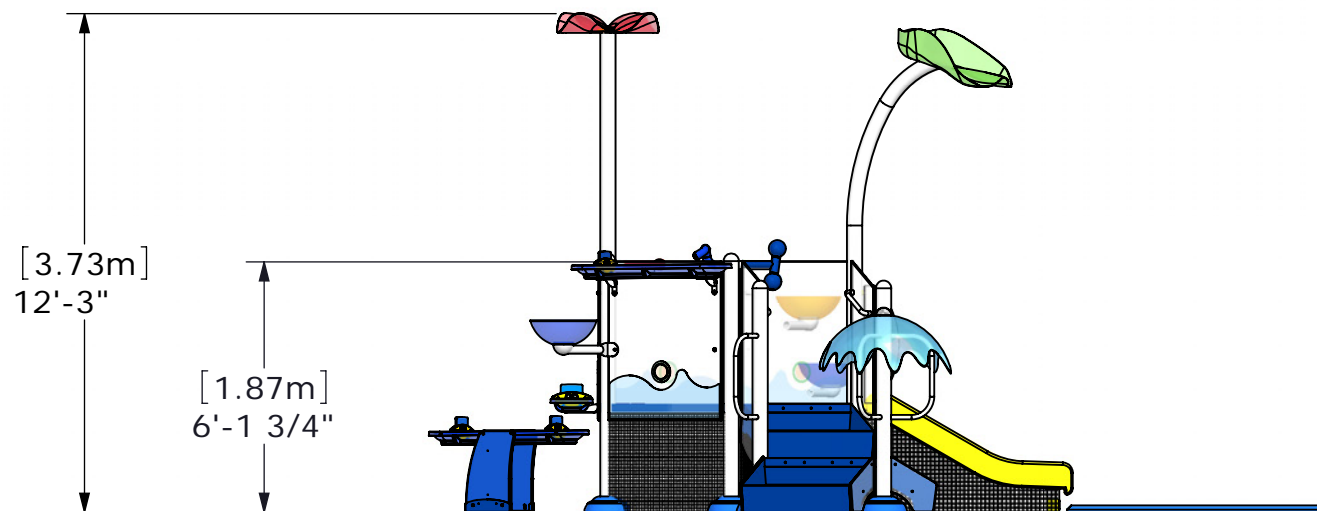
Handle Sphere



32in (0.8m) DECK  
 4" WATER CONNECTION  
 (140 GPM@20PSI at connection)  
 (530 LPM@1.4bar at connection)



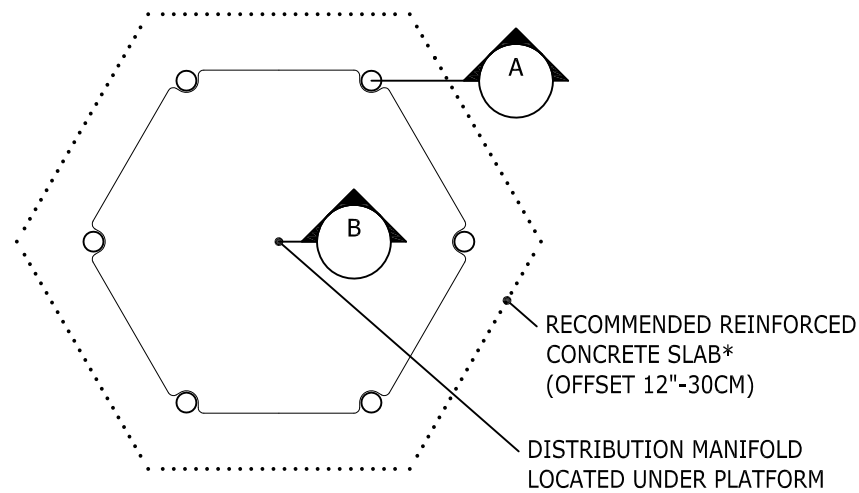
ELEVATIONS LEGEND  
 Nb. of water anchors=1  
 Nb. deck=1  
 Nb. interactive features=4  
 Nb. overhead features=2  
 Nb. slides=1



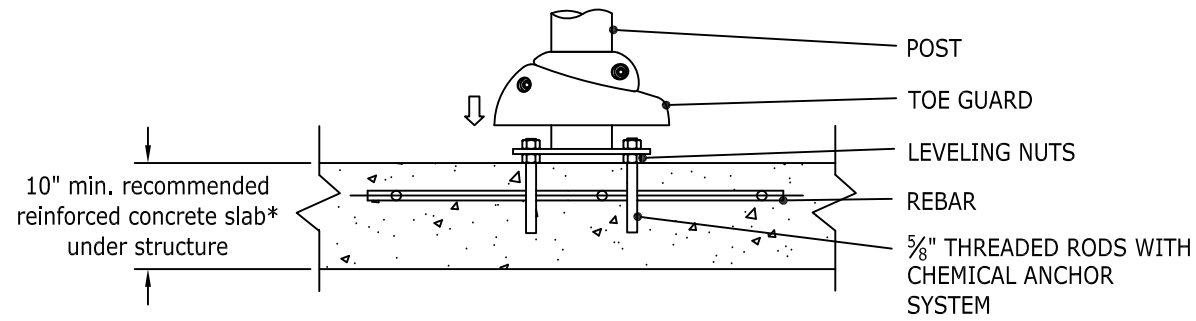
L1 Elevations™ 32in Hex Deck

Elevations™ Dimensions

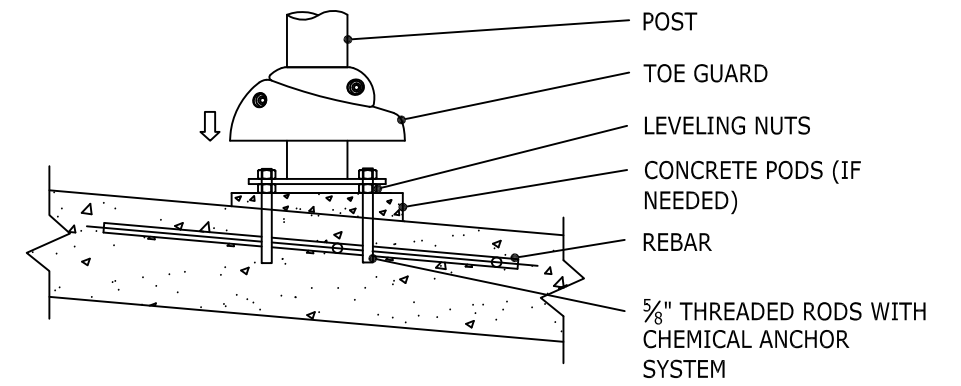




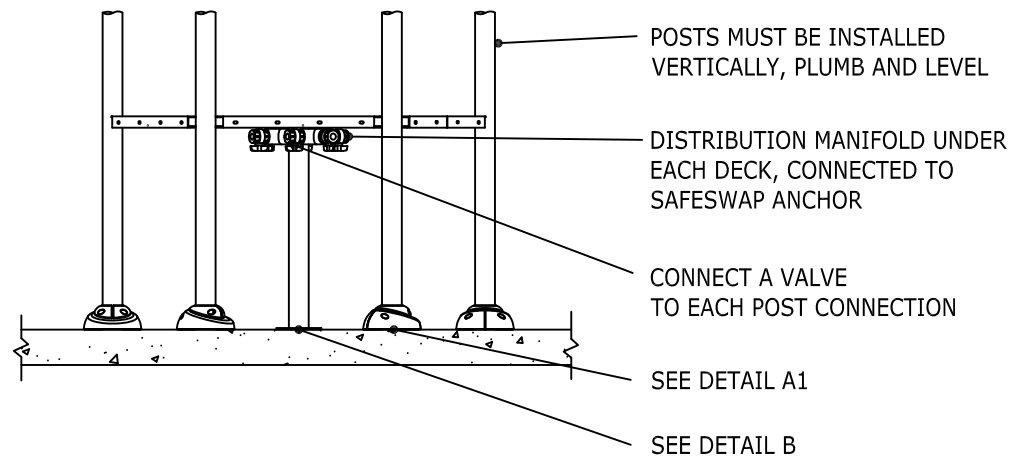
**PLAN VIEW**  
HEX DECK INSTALLATION OVERVIEW  
Anchoring details



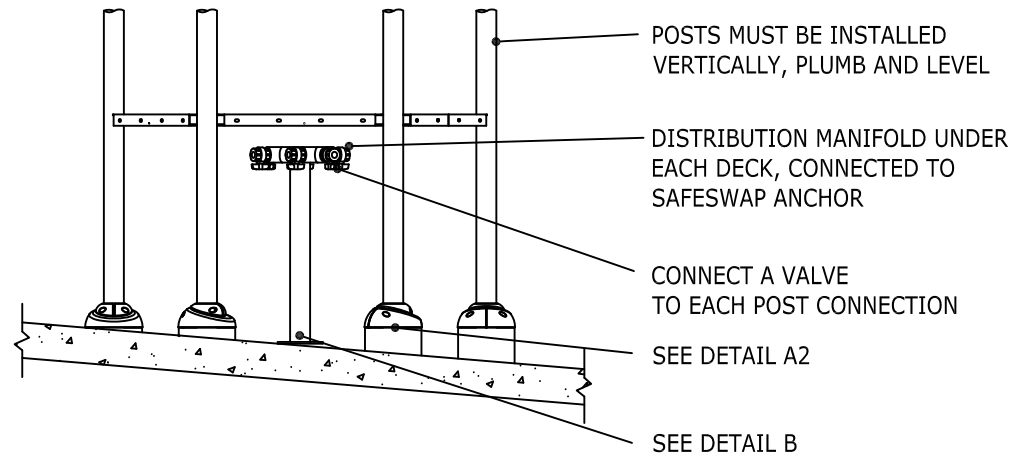
**DETAIL A1**  
POST ANCHORING DETAIL  
Post on flat surface



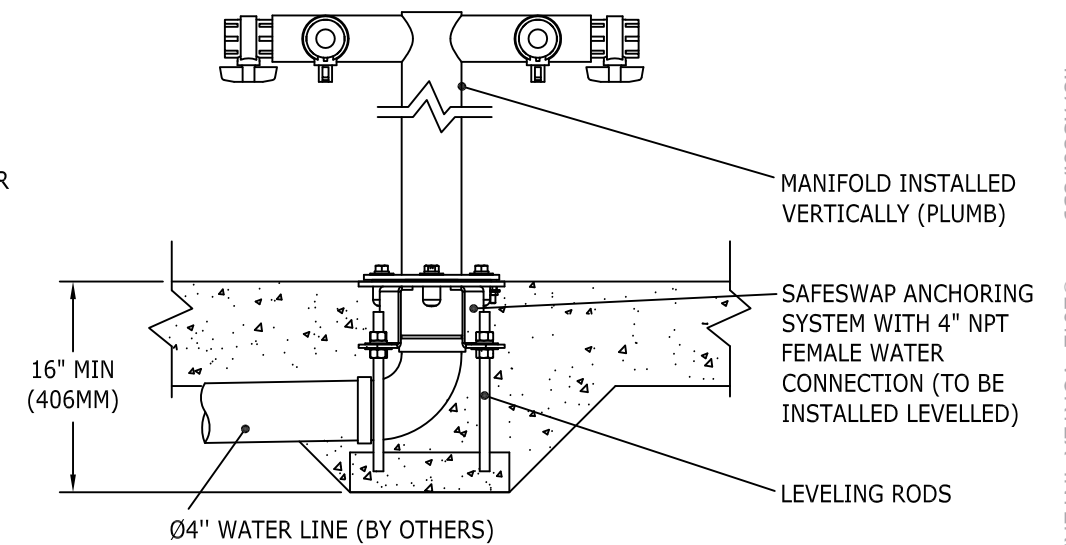
**DETAIL A2**  
POST ANCHORING DETAIL  
Post on sloped surface



**ELEVATION VIEW**  
HEX DECK INSTALLATION OVERVIEW  
On flat surface



**ELEVATION VIEW**  
HEX DECK INSTALLATION OVERVIEW  
On sloped surface



**DETAIL B**  
MANIFOLD SAFESWAP ANCHORING DETAIL

**NOTES:**

\*REINFORCED CONCRETE SLAB UNDER STRUCTURE= 10" (25cm) THICK MINIMUM REINFORCED CONCRETE SLAB WITH #4 STEEL REBAR @ 12" (30cm) C-C BOTH WAYS. RECOMMENDED MINIMUM CONCRETE STRENGTH IS 3500psi @ 28 DAYS. AIR-ENTRAINED CONCRETE IS RECOMMENDED IN REGION SUBJECT TO FREEZING. VERIFY LOCAL CODES FOR OTHER LOCAL REQUIREMENTS.

- REFER TO MAINTENANCE MANUAL FOR INSTRUCTION AND INSTALLATION DETAILS





L1 Elevations™ 32in Hex Deck